

ASSEMBLY INSTRUCTIONS:

TIME REQUIRED:

35 minutes

TOOLS REQUIRED:

Screwdriver, Electric Drill, Pencil, Measuring tape/Ruler

*Tools are not included.

SKILL REQUIRED:

Easy  Hard

The Assembly Skill Rating is a 5-point system that shows the degree of effort needed in assembling a specific product. With 1 being easy for the average person and 5 requiring an expert. For most products, two persons are recommended.

PLEASE NOTE

- As this is a commercial product, some intermediate skills may be required.
- Please check you have all hardware before assembling.
- Assemble on a clean, flat, smooth surface such as a rug or carpet to avoid parts from being scratched.
- Remove all wrapping materials, including staples and packing straps before you start to assemble
- Keep all hardware parts out of reach of children.

CAUTION

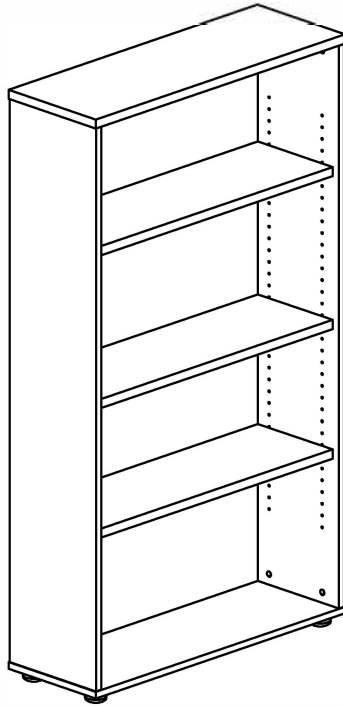
- Heavy product. Do not attempt to lift or move without help
- Do not tighten screws and bolts until completely assembled.
- Do not use this product unless all bolts and screws are firmly secured and tightened.

WARNING

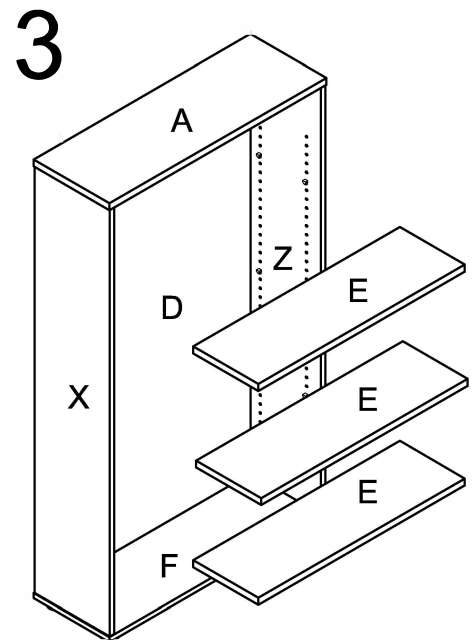
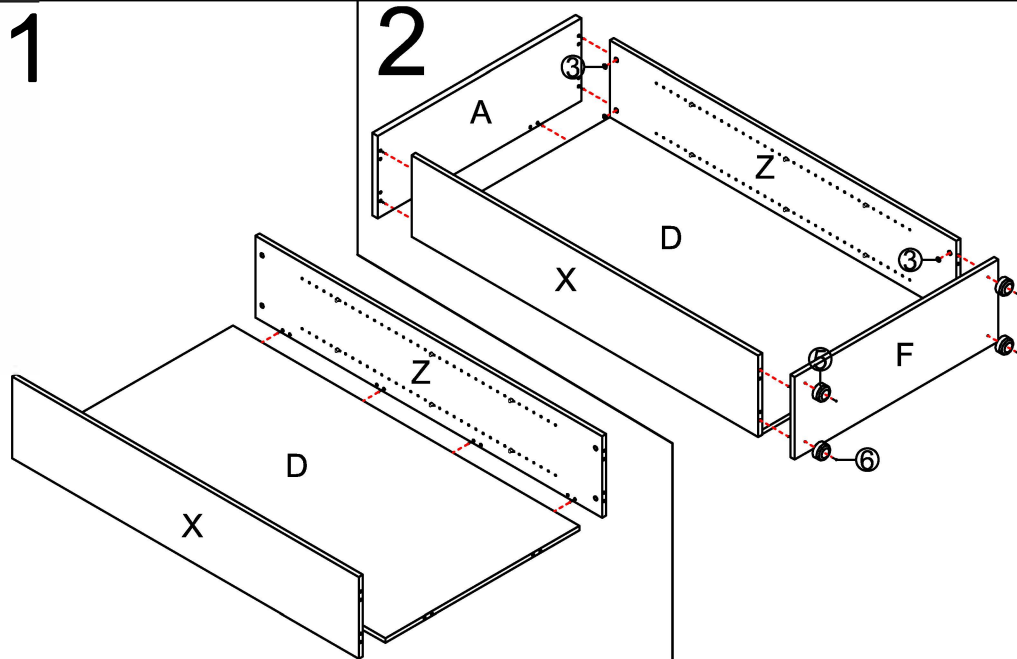
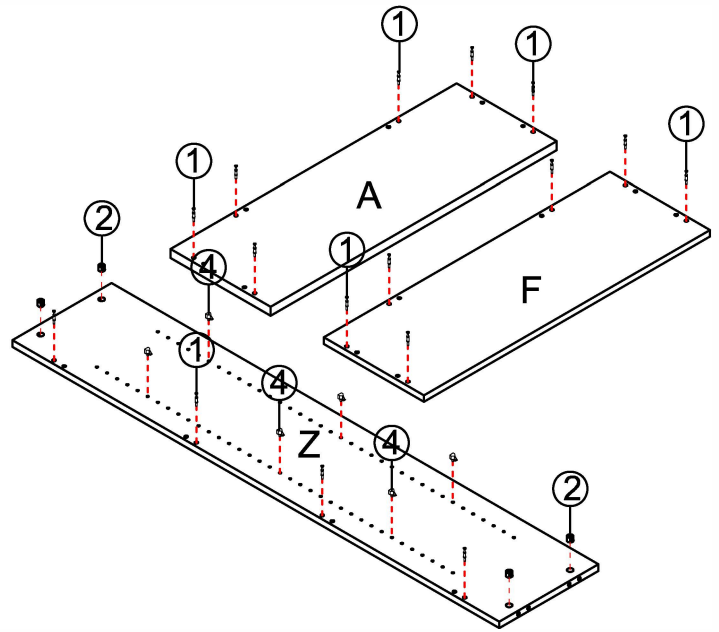
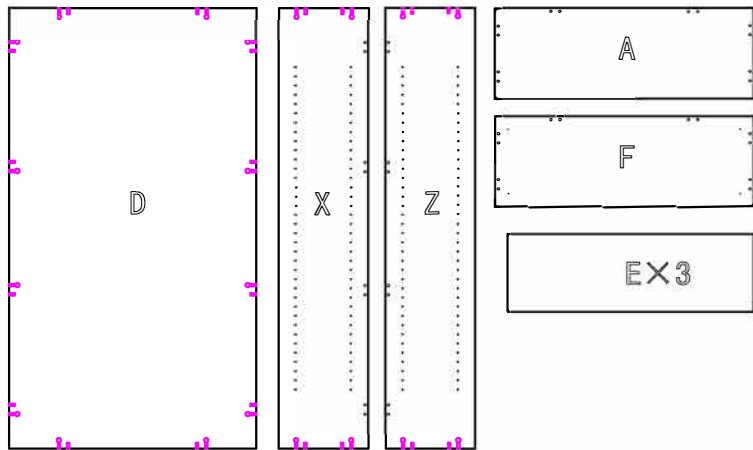
- If parts are missing, broken, damaged or worn stop using the product until all repairs are made.
- Failure to follow these warnings could result in serious injury

ASSEMBLY INSTRUCTIONS

Open Bookcase 1800H

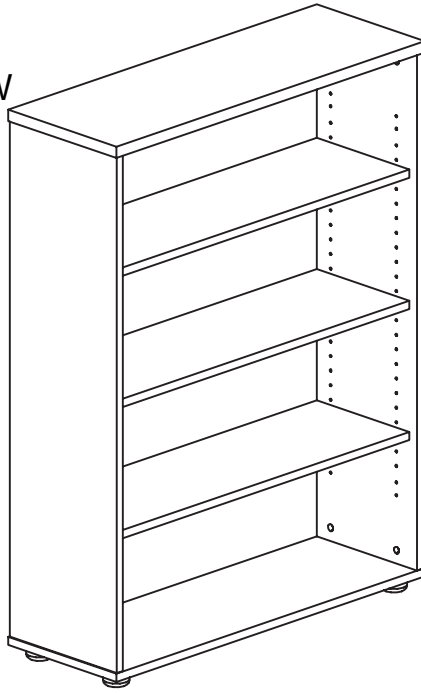


pin	8x36	1	20PCS
CAM		2	20PCS
Cam Cover		3	20PCS
Bot Minifix		4	12PCS
CUSHIOA	25Hx φ52	5	4PCS
Screw	4x30	6	4PCS



ASSEMBLY INSTRUCTIONS

Open Bookcases 1200W



pin	6×35
	1
	20PCS
CAM	
	2
	20PCS
Cam Cover	
	3
	20PCS
Bot Minifix	
	4
	12PCS
CUSHIOA 25H×φ52	
	5
	4PCS
Screw	4×30
	6
	4PCS

