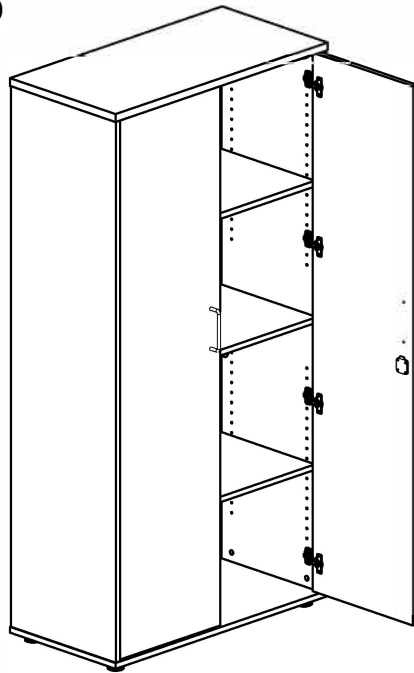
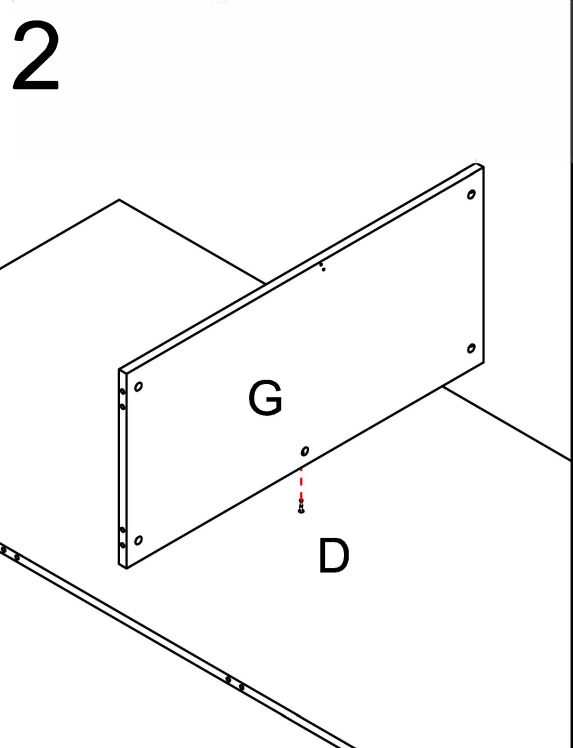
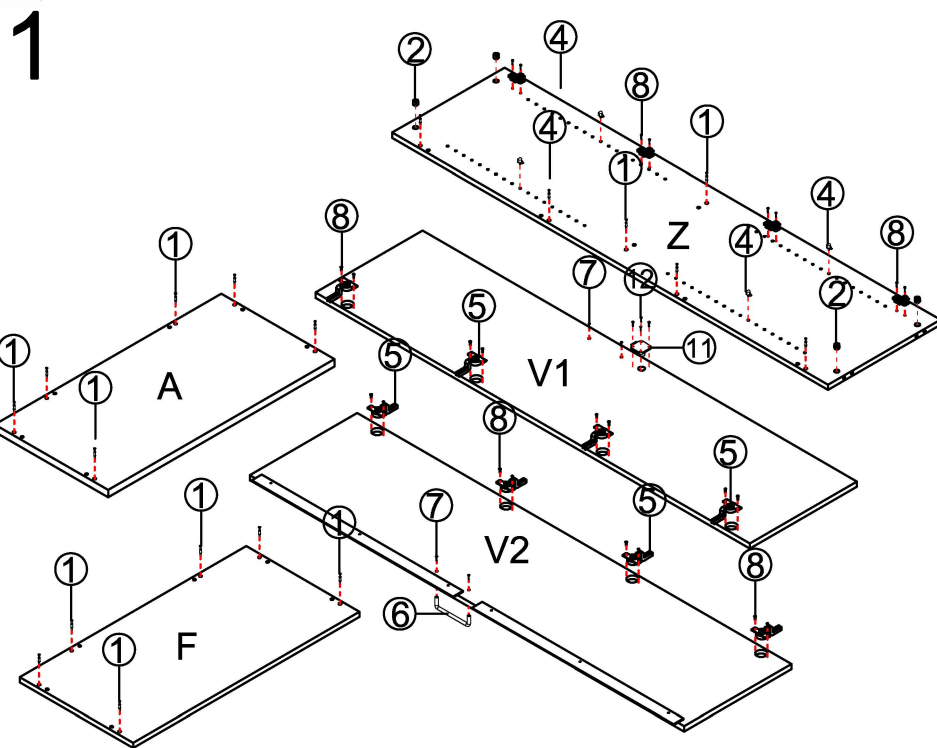
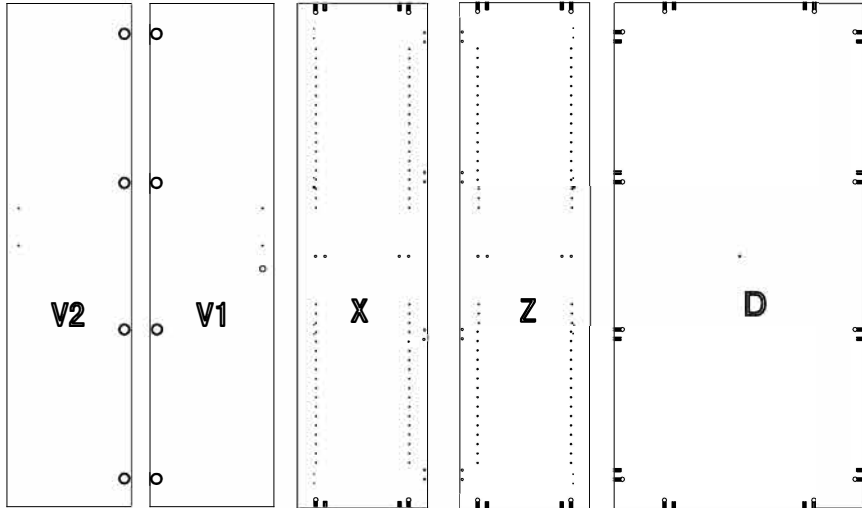
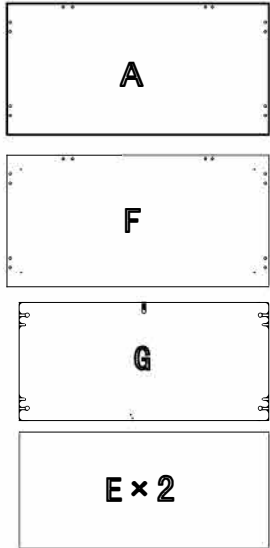


# ASSEMBLY INSTRUCTIONS

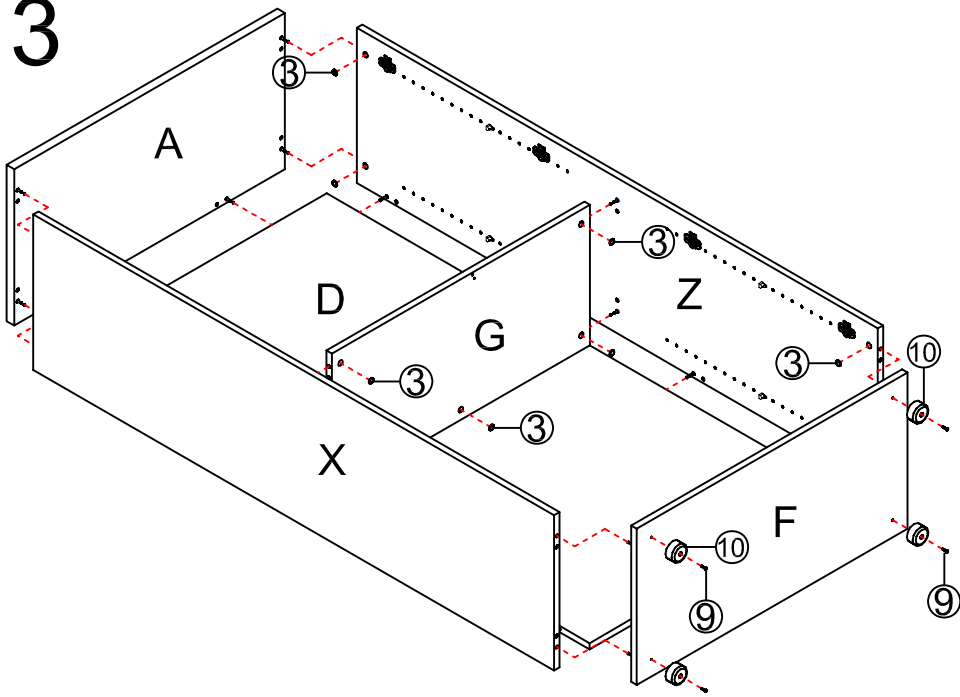
1800H x 900W x 450D



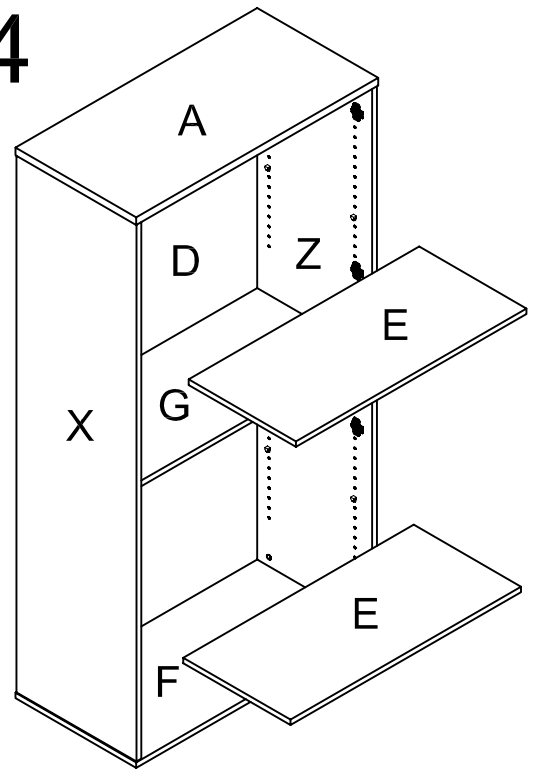
pin 1 25PCS	6x35 CAM 2 25PCS
Cam Cover 3 25PCS	Bolt Minifix 4 8PCS
Hinge&Mount Plate 5 8PCS	T-Handle 6 2PCS
Screw 7 4PCS	Screw 8 32PCS
Screw 9 4PCS	CUSHIOA 26Hx62 10 4PCS
LOCK 11 1PCS	Screw 12 4PCS
Screw 13 2PCS	



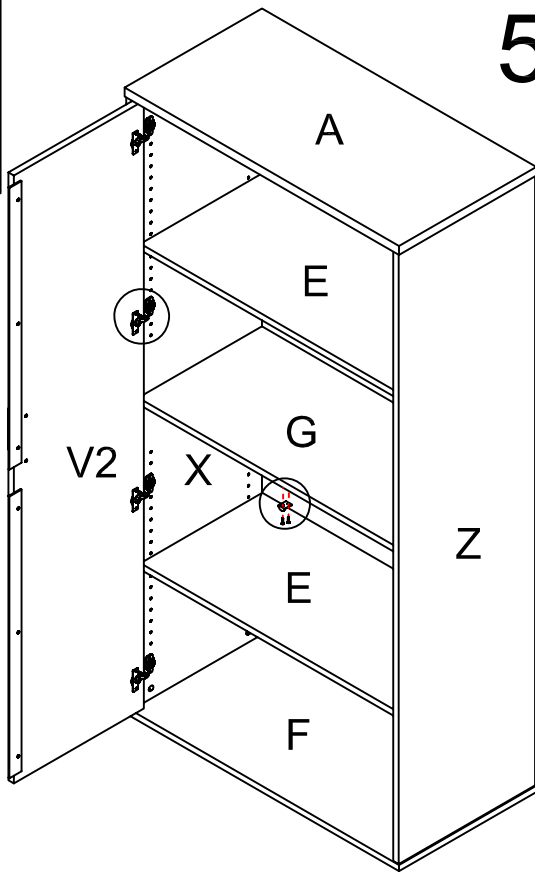
# 3



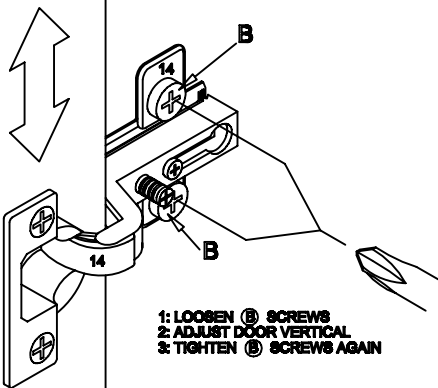
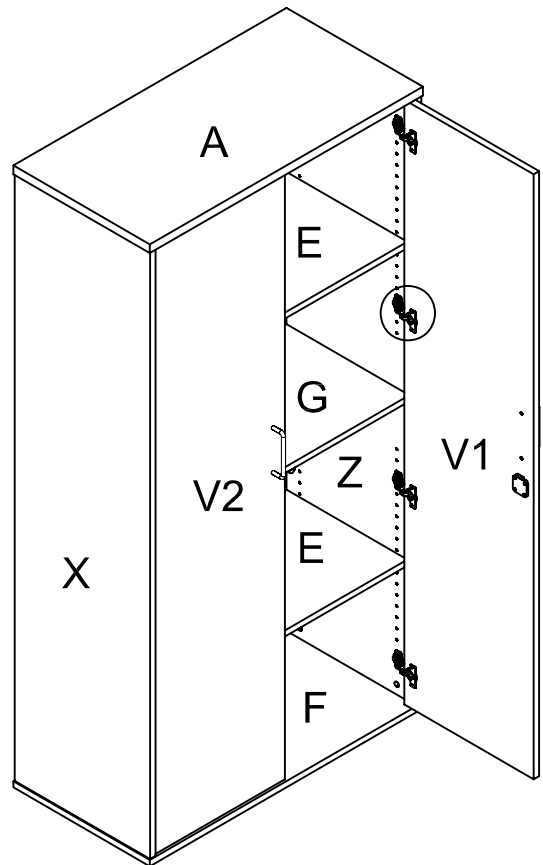
# 4



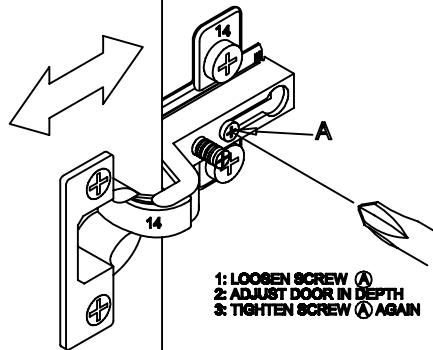
# 5



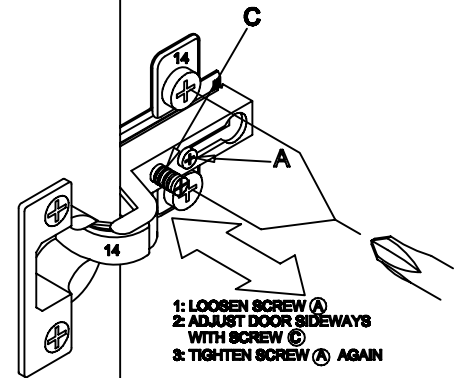
# 6



1: LOOSEN SCREW B  
2: ADJUST DOOR VERTICAL  
3: TIGHTEN SCREW B AGAIN



1: LOOSEN SCREW A  
2: ADJUST DOOR IN DEPTH  
3: TIGHTEN SCREW A AGAIN



1: LOOSEN SCREW C  
2: ADJUST DOOR SIDWAYS  
WITH SCREW C  
3: TIGHTEN SCREW C AGAIN