

ASSEMBLY INSTRUCTIONS:

Product Name: Rise Manual Height Hot Desks

TIME REQUIRED:

25 minutes

TOOLS REQUIRED:

Screwdriver, Electric Drill, Pencil, Measuring tape/Ruler

*Tools are not included.

SKILL REQUIRED:

Easy  Hard

The Assembly Skill Rating is a 5-point system that shows the degree of effort needed in assembling a specific product. With 1 being easy for the average person and 5 requiring an expert. For most products, two persons are recommended.

Please note, as this is a commercial product, some intermediate skills are required.

*No pre-drill holes or markings are provided on tops.

PLEASE NOTE

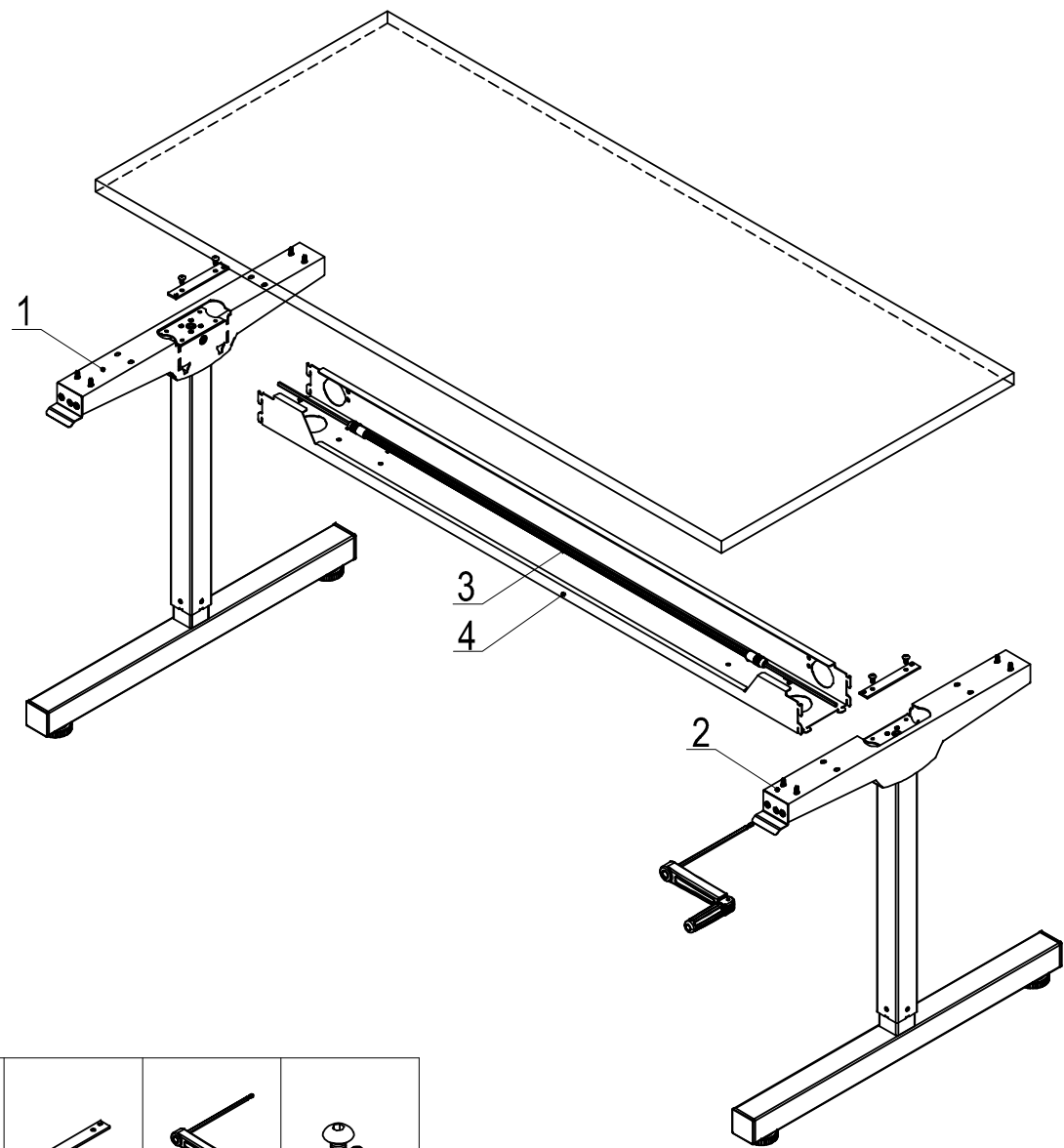
- As this is a commercial product, some intermediate skills may be required.
- Please check you have all hardware before assembling.
- Assemble on a clean, flat, smooth surface such as a rug or carpet to avoid parts from being scratched.
- Remove all wrapping materials, including staples and packing straps before you start to assemble
- Keep all hardware parts out of reach of children.

CAUTION

- Heavy product. Do not attempt to lift or move without help
- Do not tighten screws and bolts until completely assembled.
- Do not use this product unless all bolts and screws are firmly secured and tightened.

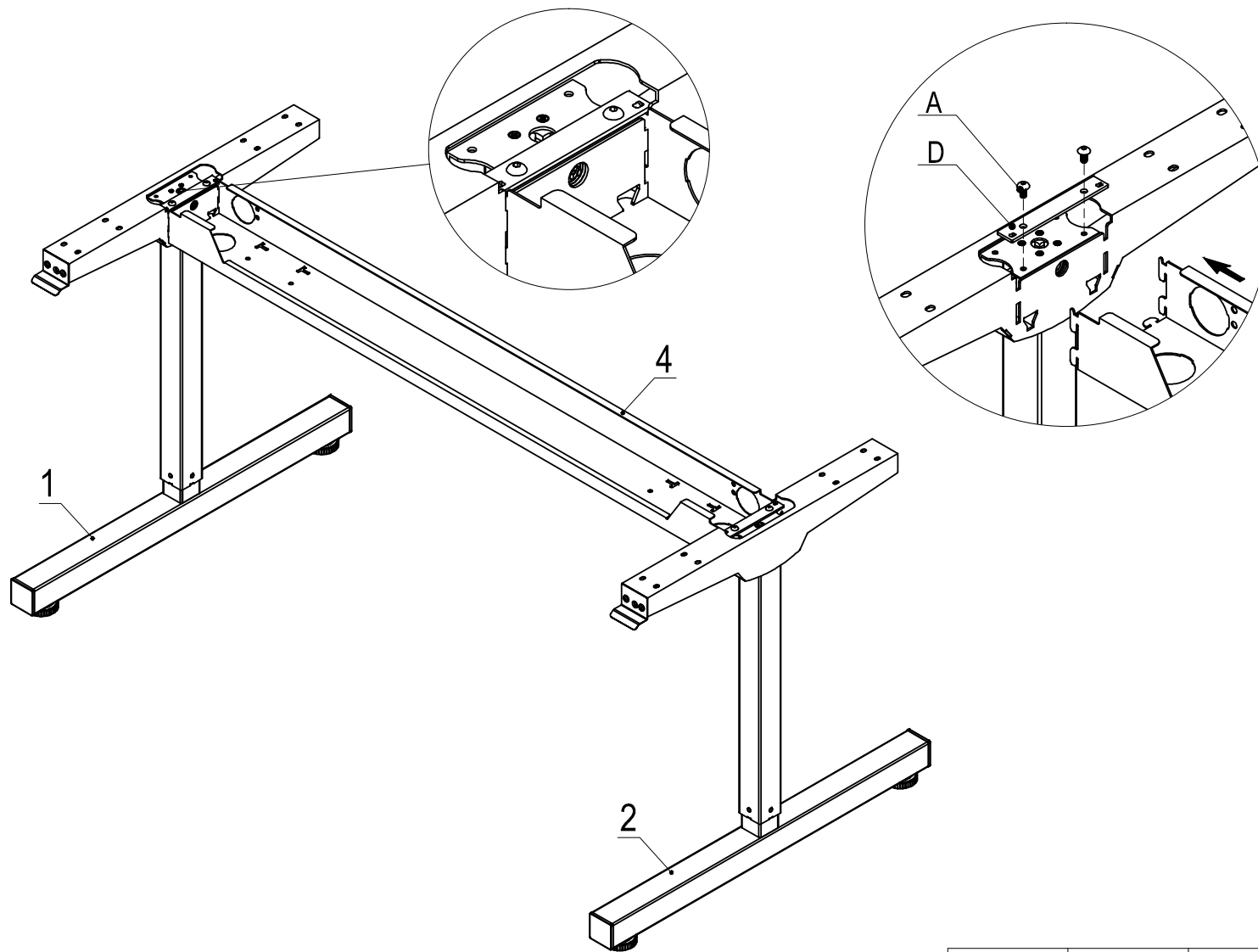
WARNING


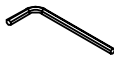

- If parts are missing, broken, damaged or worn stop using the product until all repairs are made.
- Failure to follow these warnings could result in serious Injury



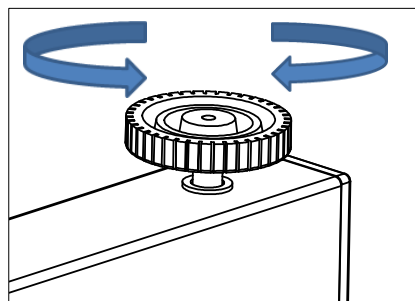
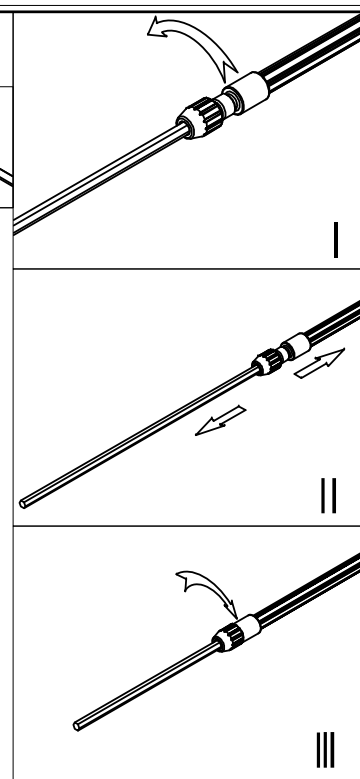
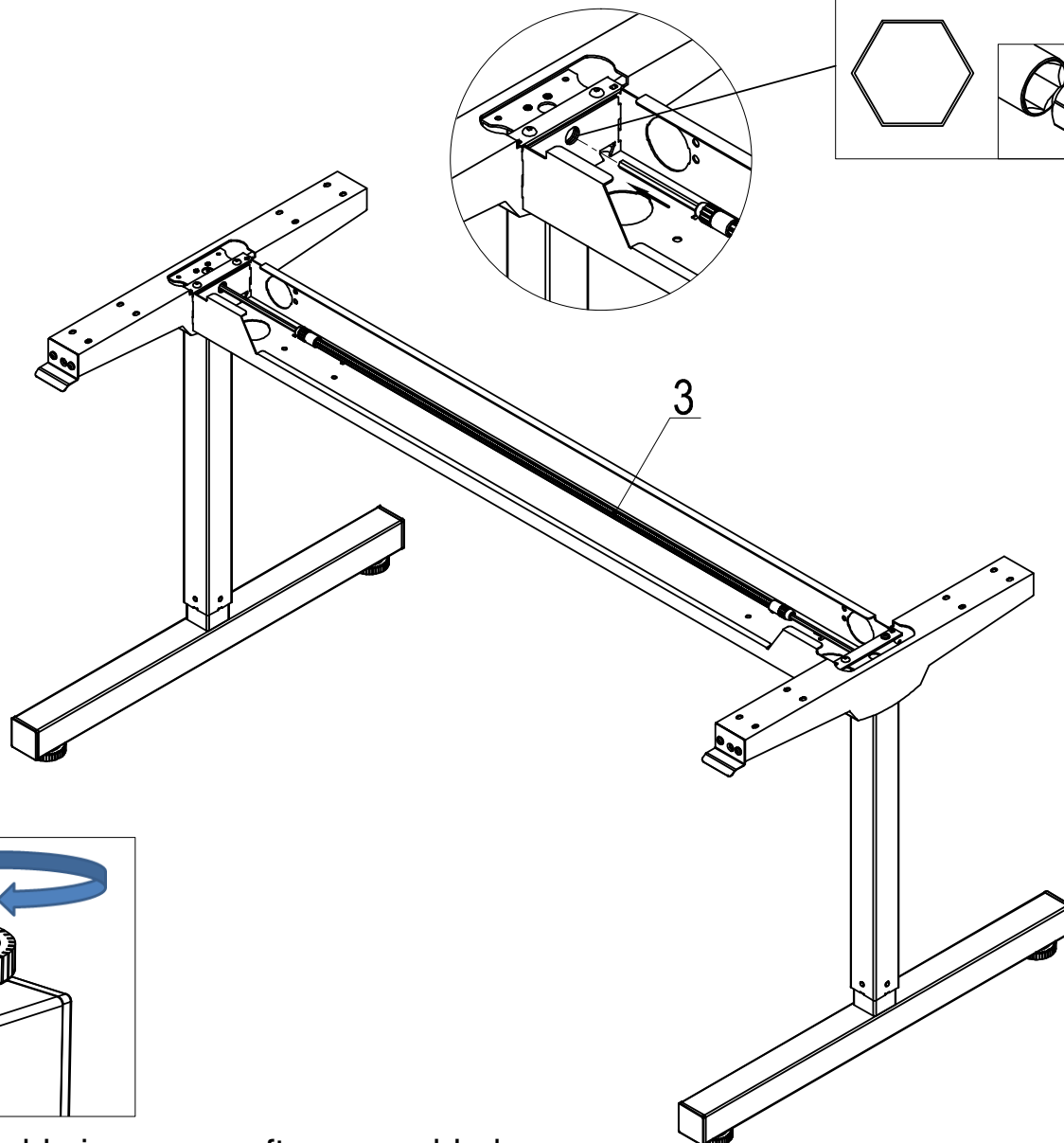
| | | | | | |
|------------|------------|----------|-----|-----|------------|
| | | | | | |
| Ax4(M6x12) | Bx8(M6x12) | Cx1(4mm) | Dx2 | Ex1 | Spare Part |

Step 1



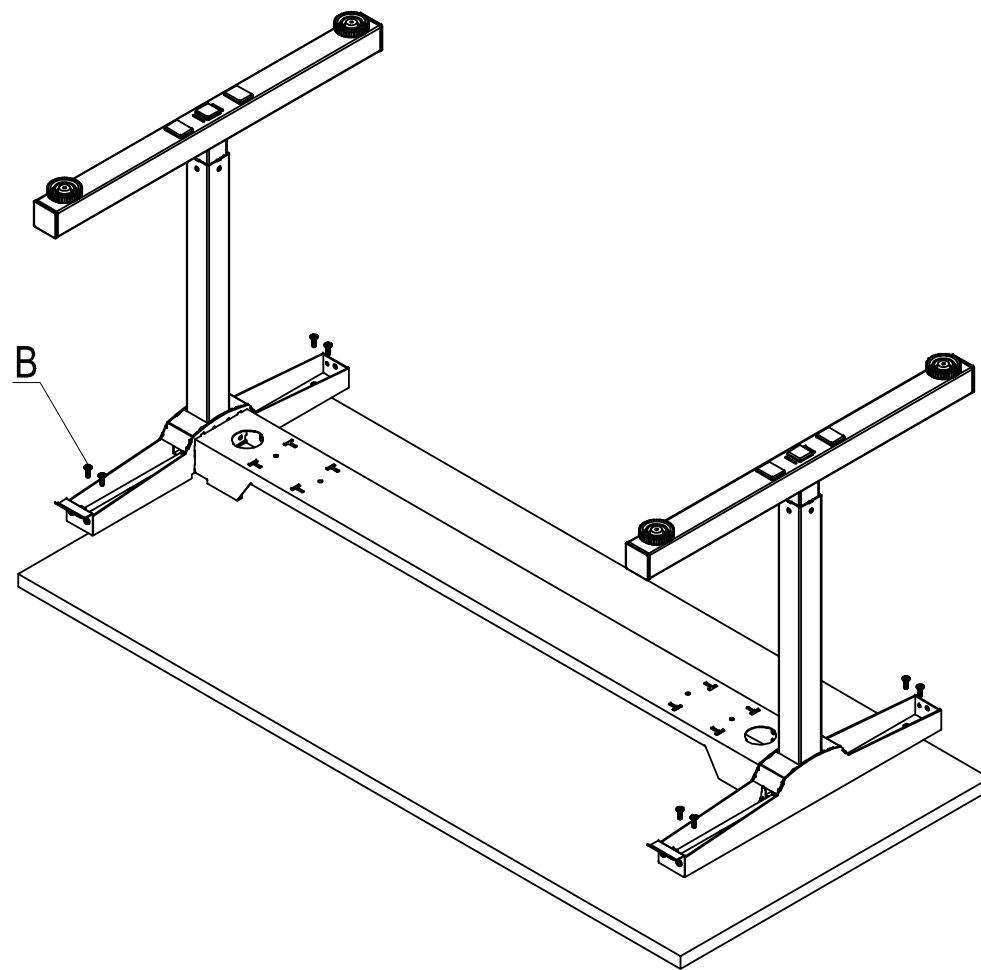
| | | |
|---|---|---|
|  |  |  |
| A x4 | C x1 | D x2 |

Step 2



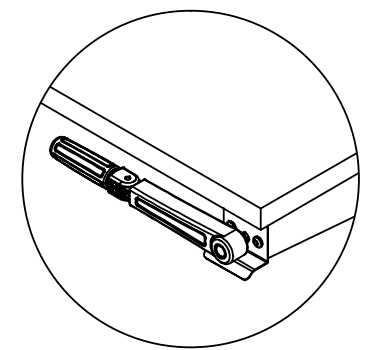
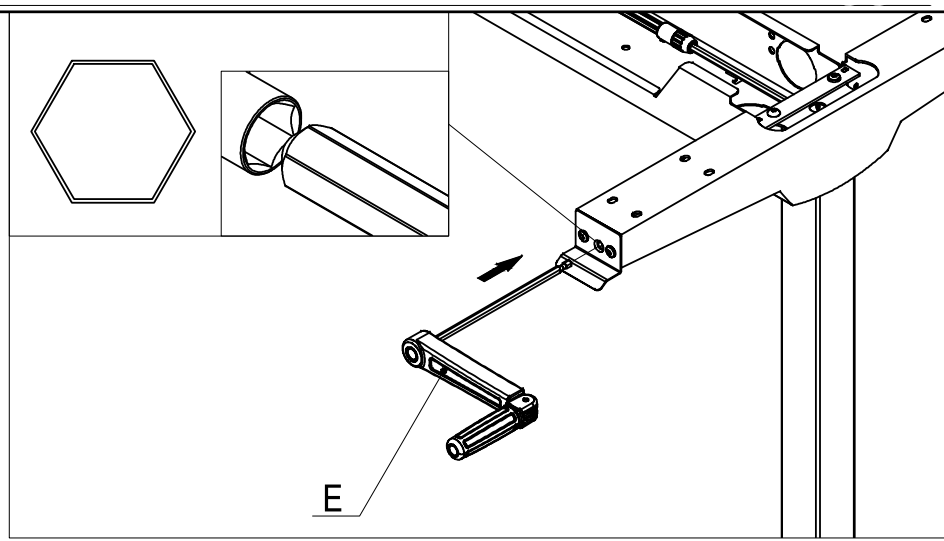
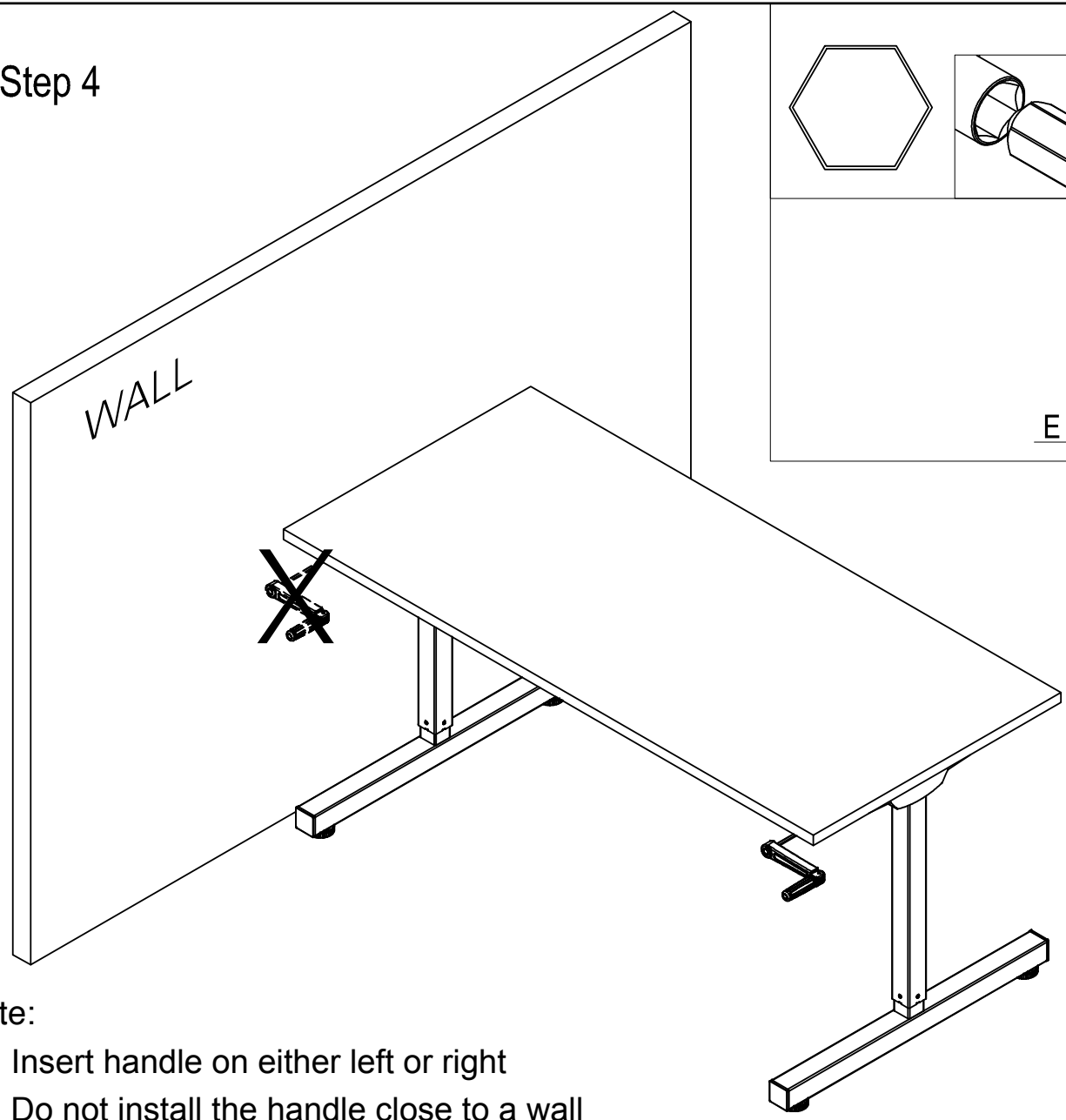
Adjust leveler if table is uneven after assembled

Step 3



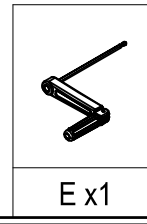
B x8

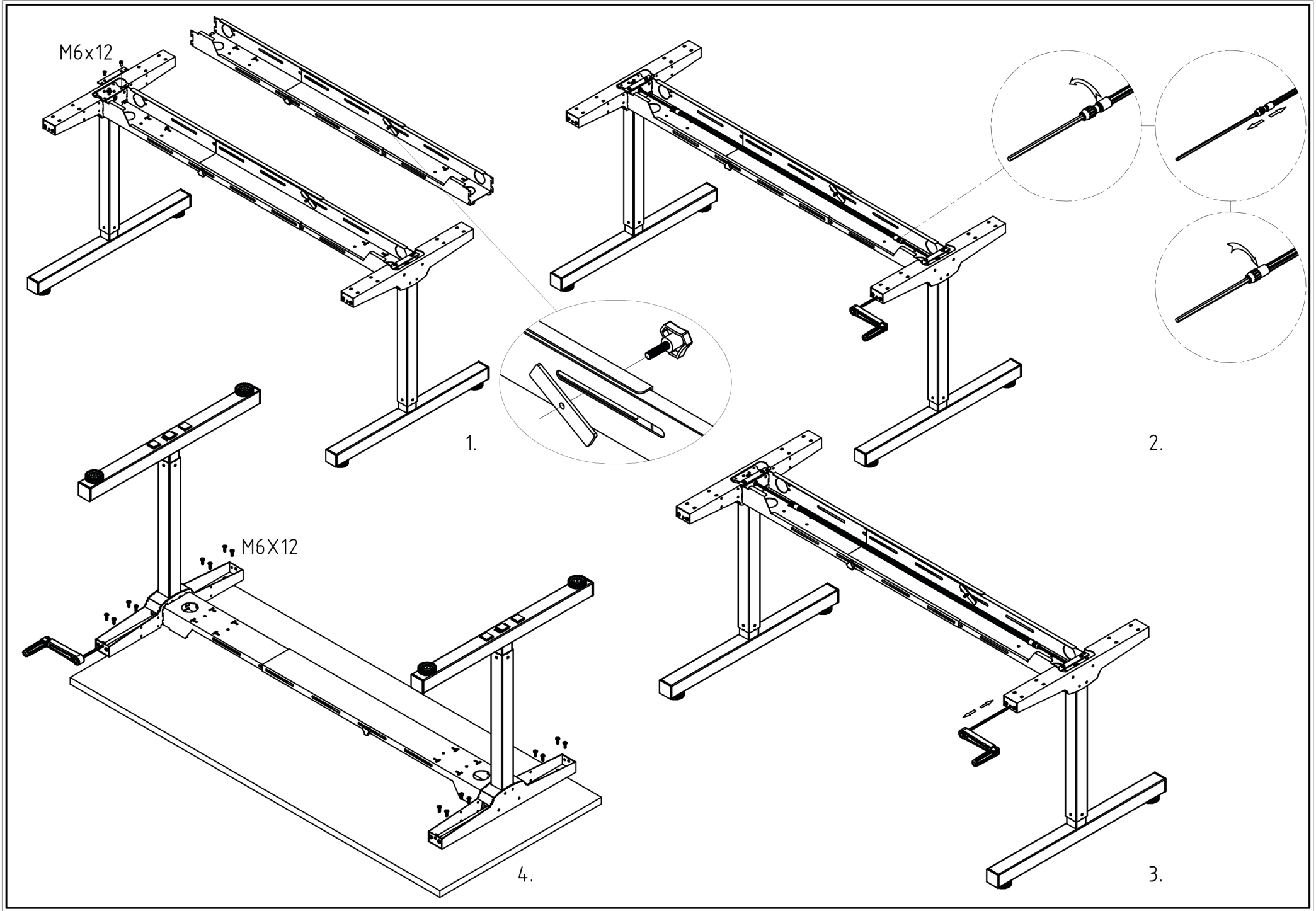
Step 4



Note:

- I. Insert handle on either left or right
- II. Do not install the handle close to a wall





M6x12

1.

2.

M6X12

4.

3.