

## Oasis Round Table 730 High - 4 Star

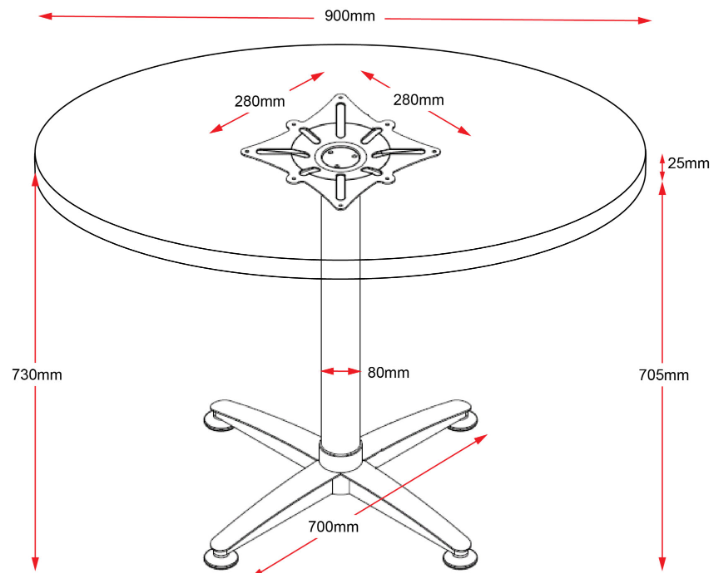
### Specifications:

- 900 Round, 1200 Round Top Size Available
- 3 Table Top Colours Available
- Stable 4 Star Base
- Adjustable Feet
- E0 Rated Melamine Board

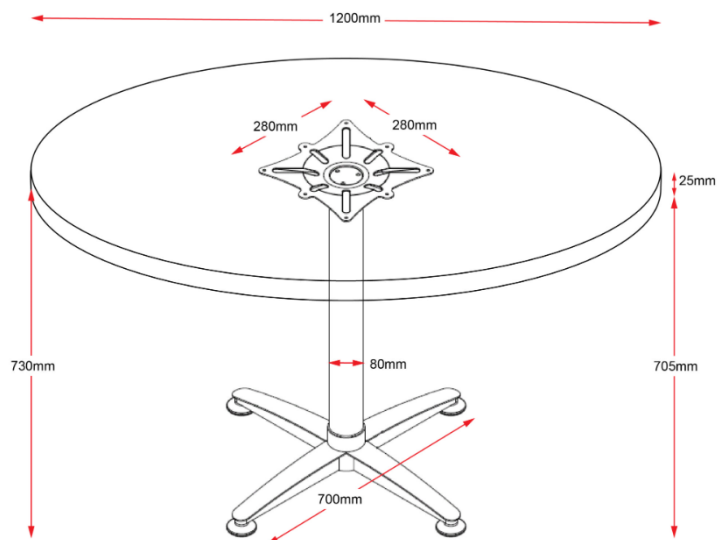
**5** YEAR  
warranty

Boxed Item - *Assembly Required*

Product Code: #06166  
900 Round



Product Code: #06167  
1200 Round



## Oasis Round Table 730 High - 4 Star

Assembly Instructions:

Time Required: 15 minutes

Tools Required: Screwdriver, Electric Drill, Pencil, Measuring tape/Ruler

\*Tools are not included

Skills required:



*The Assembly Skill Rating is a 5-point system that shows the degree of effort needed in assembling a specific product. With 1 being easy for the average person and 5 requiring an expert. For most products, two persons are recommended*

### **PLEASE NOTE**

- As this is a commercial product, some intermediate skills may be required.
- Please check you have all hardware before assembling.
- Assemble on a clean, flat, smooth surface such as a rug or carpet to avoid parts from being scratched.
- Remove all wrapping materials, including staples and packing straps before you start to assemble
- Keep all hardware parts out of reach of children.

### **CAUTION**

- Heavy product. Do not attempt to lift or move without help
- Do not tighten screws and bolts until completely assembled.
- Do not use this product unless all bolts and screws are firmly secured and tightened.

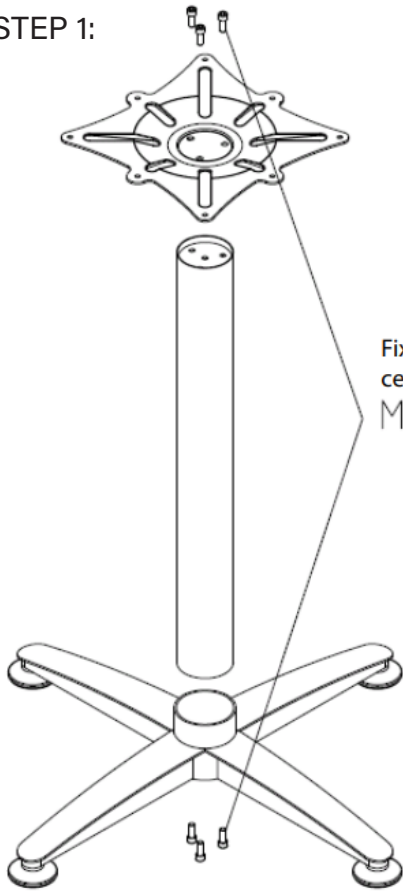
### **WARNING**

- If parts are missing, broken, damaged or worn stop using the product until all repairs are made.
- Failure to follow these warnings could result in serious Injury

Product Code: #06166  
900 Round

Product Code: #06167  
1200 Round

STEP 1:



Fix top and bottom of base to  
centre pole using :  
M8x25(6pcs)


STEP 2:

Place Top on a clean, soft surface.  
eg. a rug or carpet

Centre frame on top, upside down.

Use a pencil to mark the screw holes.  
Then remove top and create drill holes  
where the markings are located.

Fix the top to the frame using:

 8G x 20 Timber Screw (8pcs)

