

Oasis Fixed Drawer Boxes

Specifications:

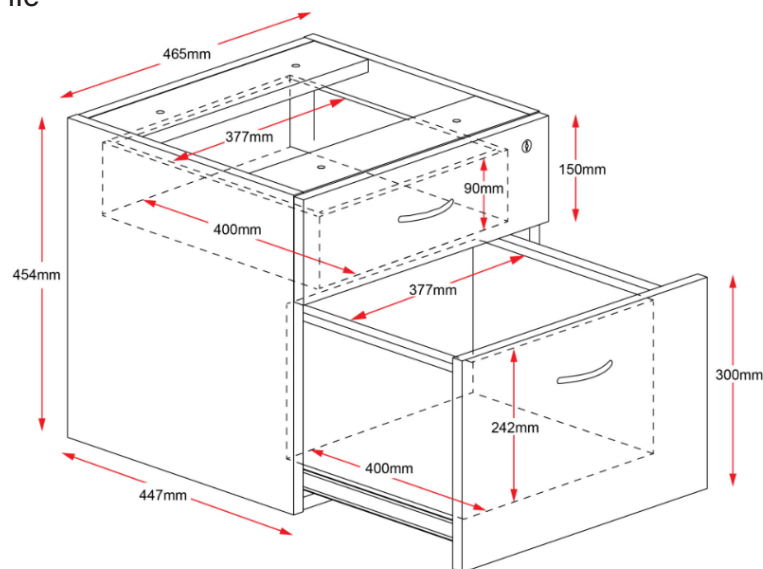
- Lockable
- Metal Runners
- E0 Enviroboard
- Strong and Durable

5 YEAR
warranty

Boxed Item - *Assembly Required*

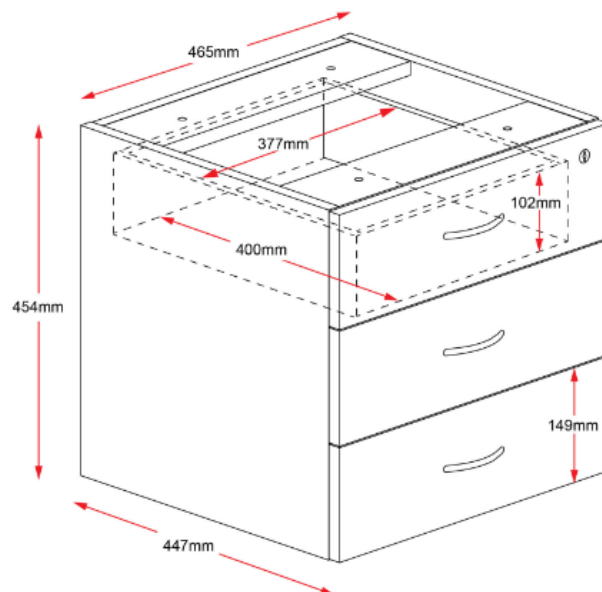
Product Code: #06127

1 Drawer / 1 File



Product Code: #06126

3 Drawers



Oasis Fixed Drawer Boxes

Assembly Instructions:

Time Required: 35 minutes

Tools Required: Screwdriver, Electric Drill, Pencil, Measuring tape/Ruler

*Tools are not included

Skills required:



The Assembly Skill Rating is a 5-point system that shows the degree of effort needed in assembling a specific product. With 1 being easy for the average person and 5 requiring an expert. For most products, two persons are recommended

PLEASE NOTE

- As this is a commercial product, some intermediate skills may be required.
- Please check you have all hardware before assembling.
- Assemble on a clean, flat, smooth surface such as a rug or carpet to avoid parts from being scratched.
- Remove all wrapping materials, including staples and packing straps before you start to assemble
- Keep all hardware parts out of reach of children.

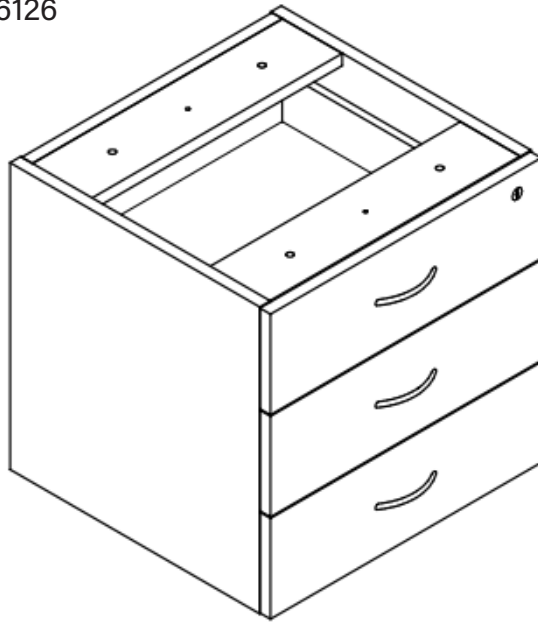
CAUTION

- Heavy product. Do not attempt to lift or move without help
- Do not tighten screws and bolts until completely assembled.
- Do not use this product unless all bolts and screws are firmly secured and tightened.

WARNING

- If parts are missing, broken, damaged or worn stop using the product until all repairs are made.
- Failure to follow these warnings could result in serious Injury

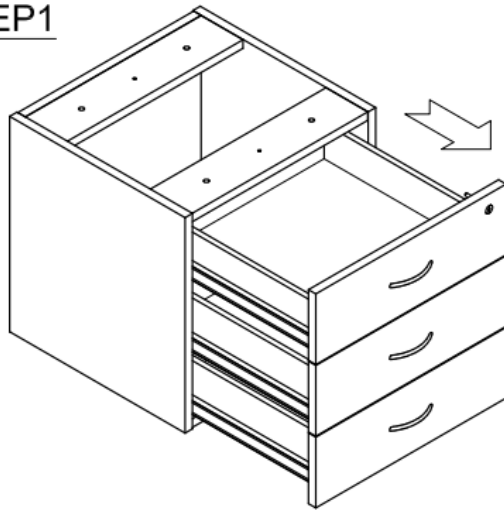
Product Code: #06126
3 Drawers



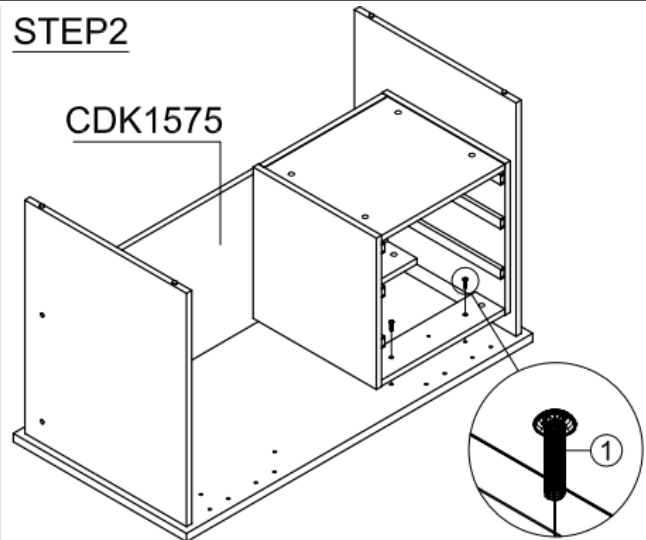
A

Bolt Screw	6×25	1
		4PCS
Wood Screw	4×35	2
		2PCS

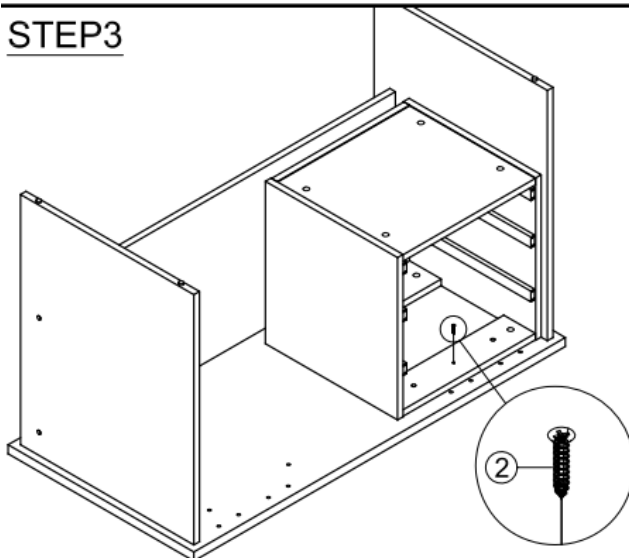
STEP1



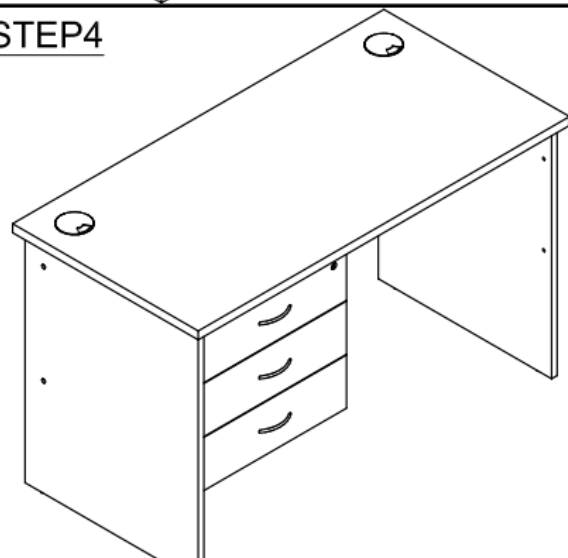
STEP2



STEP3

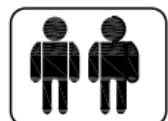


STEP4



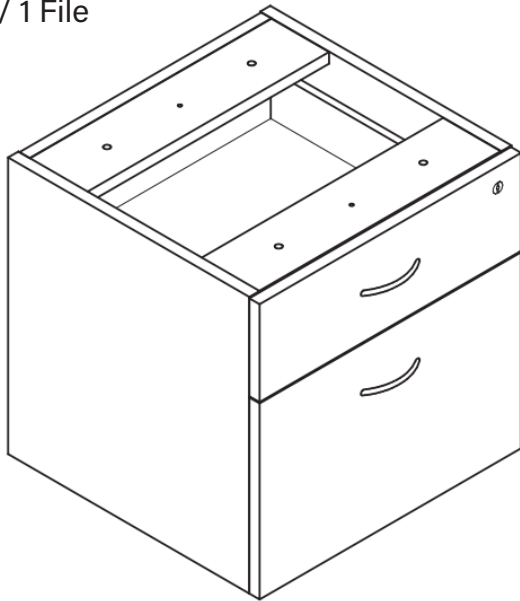
IMPORTANT NOTE:



- Place all laminated parts on a clean and smooth surface such as a rug or carpet to avoid the parts from being scratched.
- Check to be sure that you have all parts and hardware
- Remove all wrapping materials, including staples & packing straps before you start to assemble.
- Don't tighten all screws/ bolts until all completely assembled.
- Keep all hardware parts out of reach from children.



Product Code: #06127

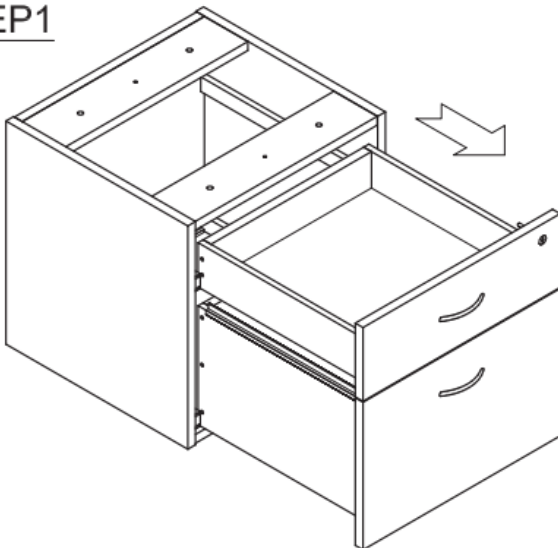
1 Drawer / 1 File



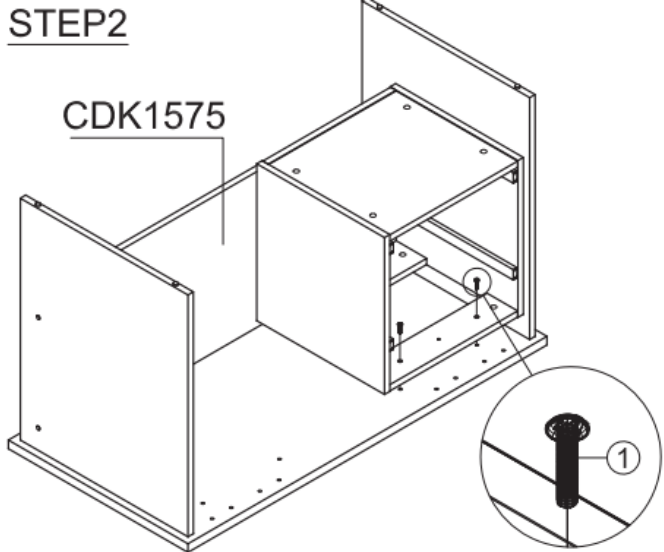
Bolt Screw	6×25	
		1
4PCS		
Wood Screw	4×35	
		2
2PCS		

A

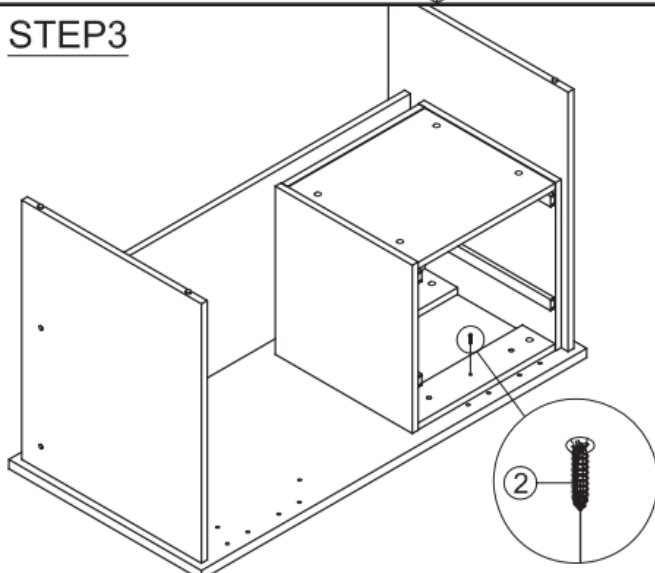
STEP1



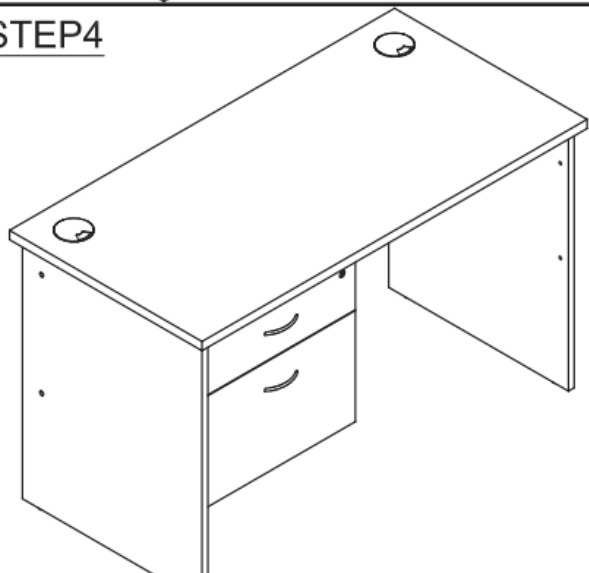
STEP2



STEP3



STEP4



IMPORTANT NOTE:

- Place all laminated parts on a clean and smooth surface such as a rug or carpet to avoid the parts from being scratched.
- Check to be sure that you have all parts and hardware
- Remove all wrapping materials, including staples & packing straps before you start to assemble.
- Don't tighten all screws/ bolts until all completely assembled.
- Keep all hardware parts out of reach from children.

