

OASIS HOT DESK RETURNS

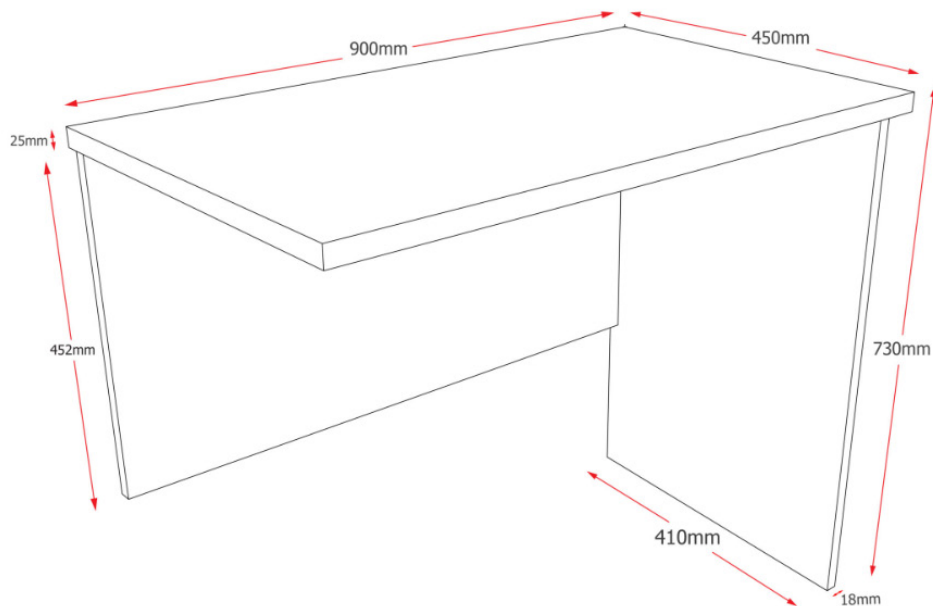
Specifications:

- E0 Enviroboard
- Comes in 3 sizes
- Fits either side of the Oasis Hot Desk
- Strong and durable

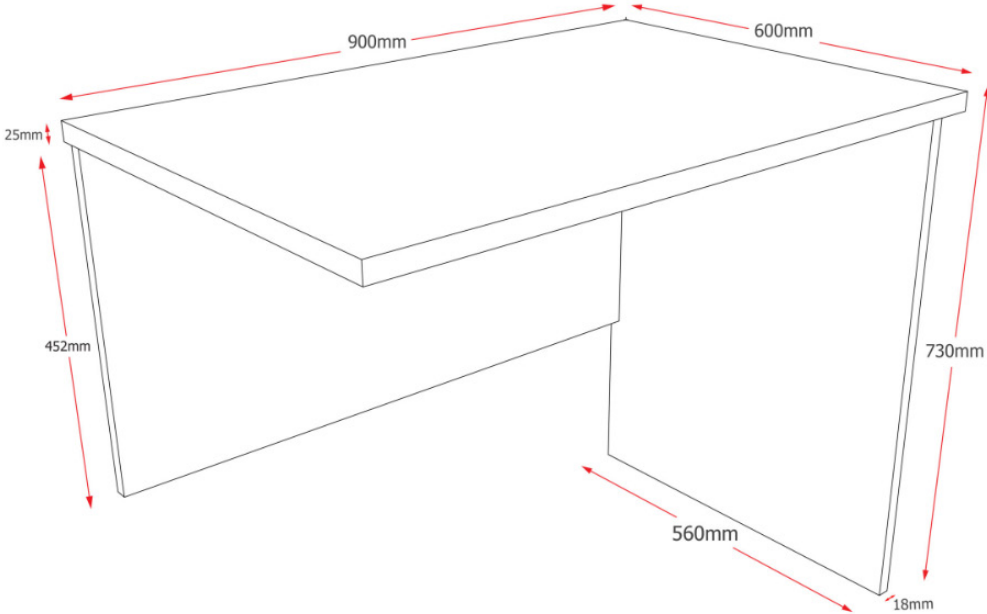
Boxed Item - *Assembly Required*

5 YEAR
warranty

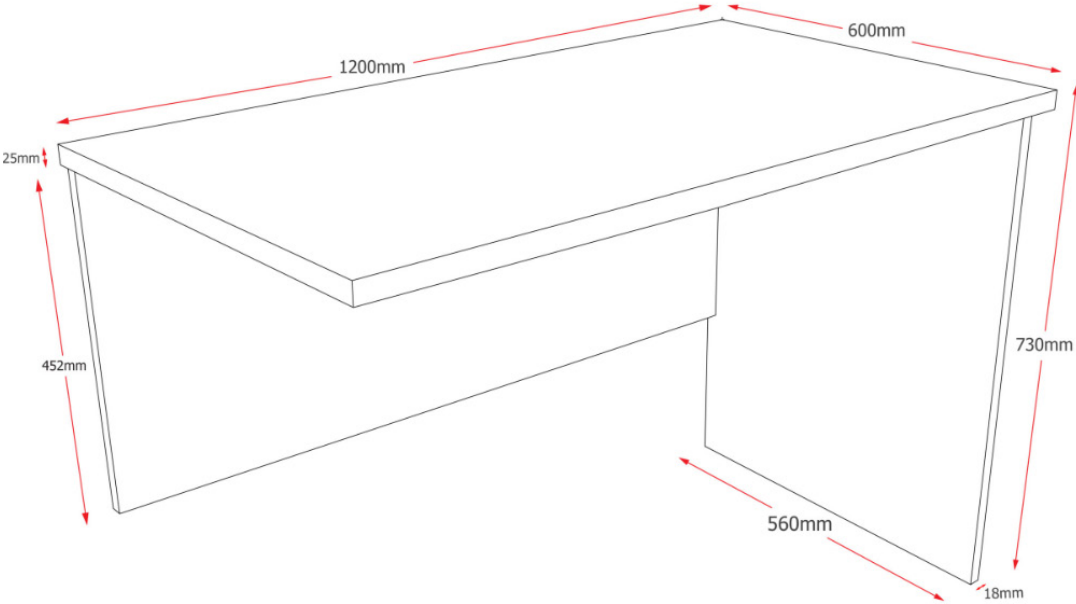
Product Code: #06121
900W x 450D



Product Code: #06123
1200W x 600D



Product Code: #06122
900W x 600D



OASIS HOT DESK RETURNS

Assembly Instructions:

Time Required: 15 minutes

Tools Required: Screwdriver, Electric Drill, Pencil, Measuring tape/Ruler

*Tools are not included

Skills required:



The Assembly Skill Rating is a 5-point system that shows the degree of effort needed in assembling a specific product. With 1 being easy for the average person and 5 requiring an expert. For most products, two persons are recommended

PLEASE NOTE

- As this is a commercial product, some intermediate skills may be required.
- Please check you have all hardware before assembling.
- Assemble on a clean, flat, smooth surface such as a rug or carpet to avoid parts from being scratched.
- Remove all wrapping materials, including staples and packing straps before you start to assemble
- Keep all hardware parts out of reach of children.

CAUTION

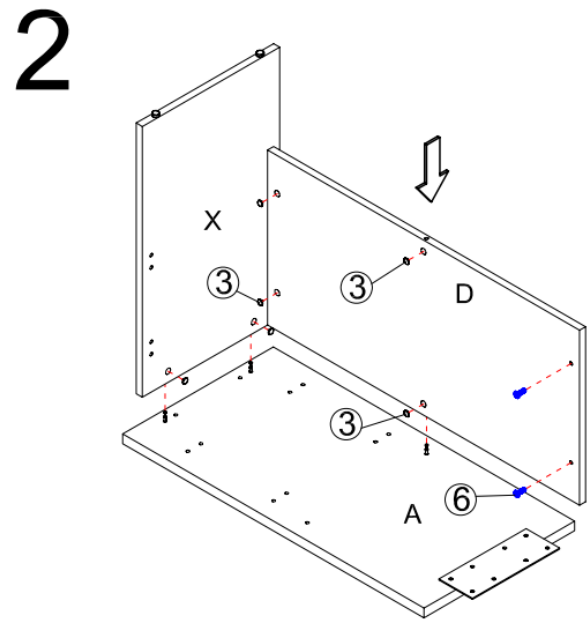
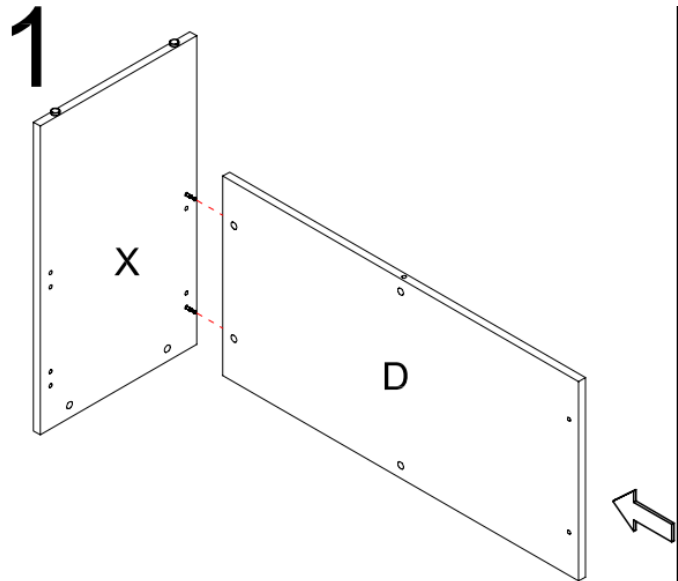
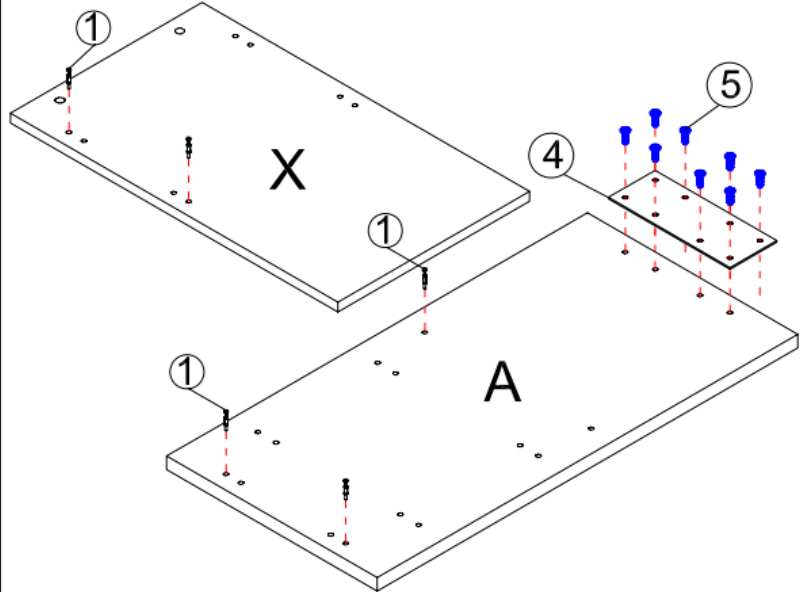
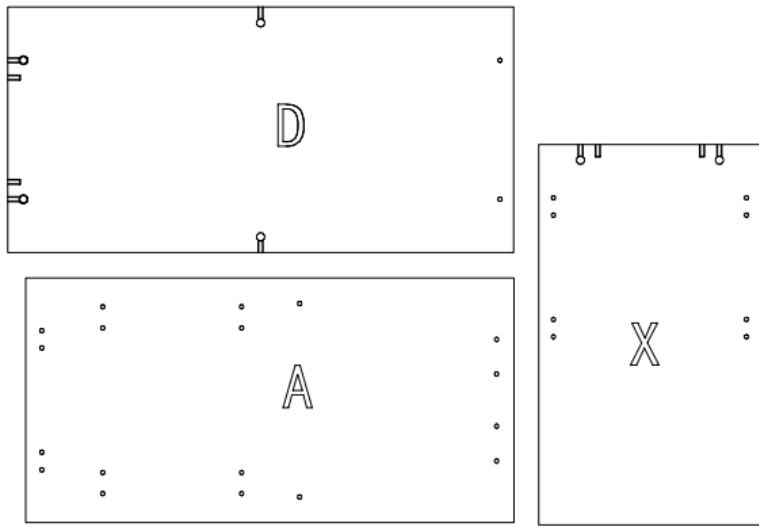
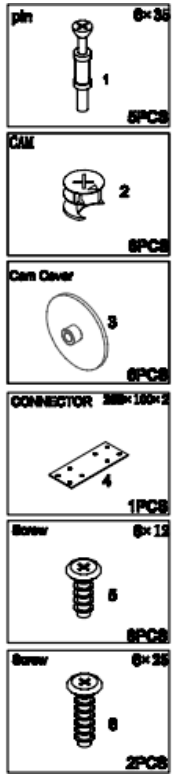
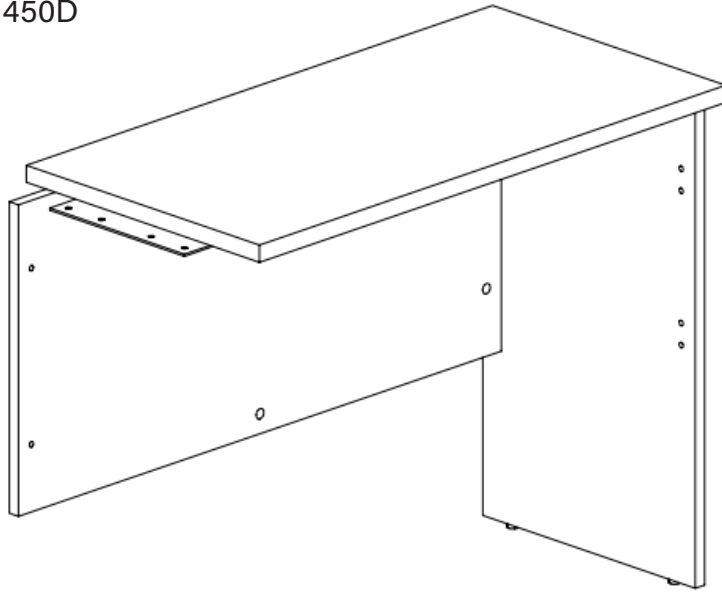
- Heavy product. Do not attempt to lift or move without help
- Do not tighten screws and bolts until completely assembled.
- Do not use this product unless all bolts and screws are firmly secured and tightened.

WARNING

- If parts are missing, broken, damaged or worn stop using the product until all repairs are made.
- Failure to follow these warnings could result in serious Injury

ASSEMBLY INSTRUCTIONS

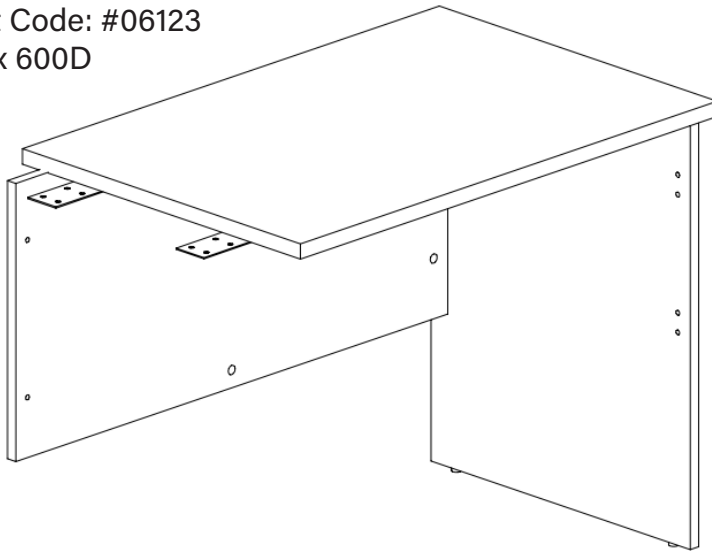
Product Code: #06121
900W x 450D



ASSEMBLY INSTRUCTIONS

Product Code: #06122
900W x 600D

Product Code: #06123
1200W x 600D



pin 6x35	1	5PCS
CAM	2	6PCS
Cam Cover	3	6PCS
CONNECTOR 200x60x2	4	2PCS
Screw 6x12	5	16PCS
Screw 6x25	6	2PCS

