

## OASIS ROUND TABLE

### Specifications:

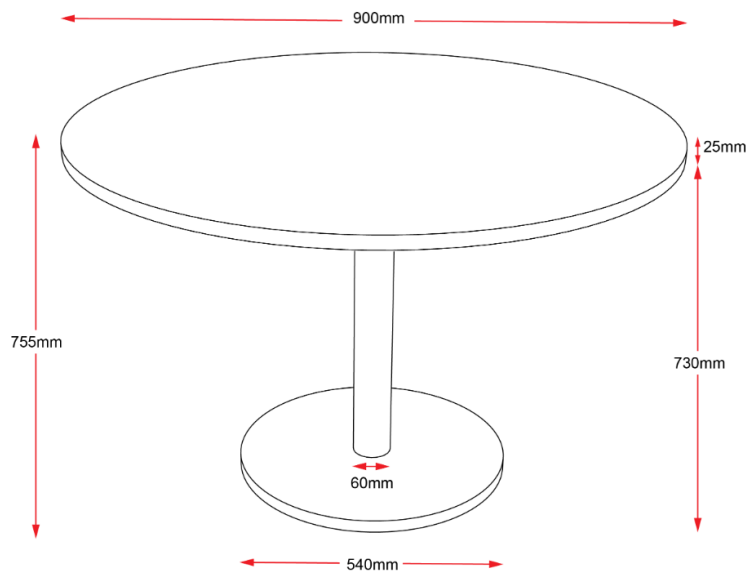
- Available with 900 or 1200mm Diameter
- 755mm High Overall
- Chrome or Black Base
- 3 Different Top Colours to Choose From
- E0 Rated Melamine Board
- 5 Year Warranty

**5 YEAR**  
warranty

Boxed Item - *Assembly Required*

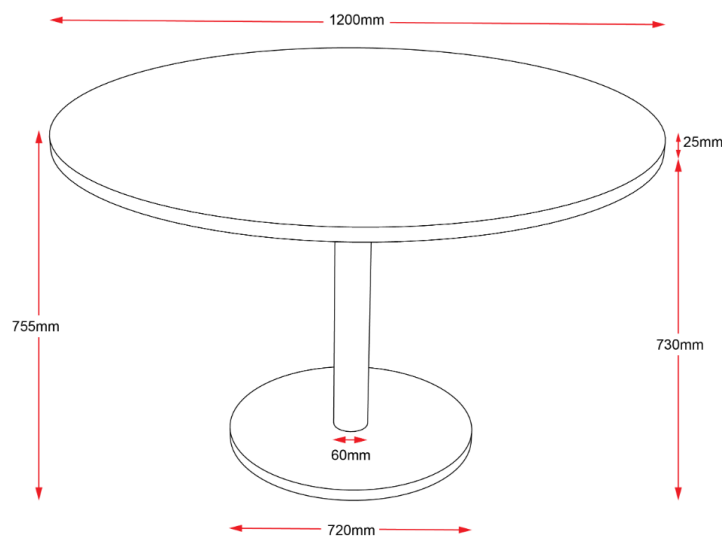
Product Code: #06159

900 Round



Product Code: #06160

1200 Round



## OASIS ROUND TABLE

Assembly Instructions:

Time Required: 20 minutes

Tools Required: Screwdriver, Electric Drill, Pencil, Measuring tape/Ruler

\*Tools are not included

Skills required:



*The Assembly Skill Rating is a 5-point system that shows the degree of effort needed in assembling a specific product. With 1 being easy for the average person and 5 requiring an expert. For most products, two persons are recommended*

*Please note, as this is a commercial product, some intermediate skills are required.  
\*No pre-drill holes or markings are provided on tops*

### PLEASE NOTE

- As this is a commercial product, some intermediate skills may be required.
- Please check you have all hardware before assembling.
- Assemble on a clean, flat, smooth surface such as a rug or carpet to avoid parts from being scratched.
- Remove all wrapping materials, including staples and packing straps before you start to assemble
- Keep all hardware parts out of reach of children.



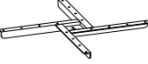



### CAUTION

- Heavy product. Do not attempt to lift or move without help
- Do not tighten screws and bolts until completely assembled.
- Do not use this product unless all bolts and screws are firmly secured and tightened.

### WARNING

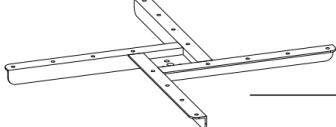
- If parts are missing, broken, damaged or worn stop using the product until all repairs are made.
- Failure to follow these warnings could result in serious Injury


Confirm you have:

	A 1
	B 1
	C 1
	D 1
	E 1
	F 3

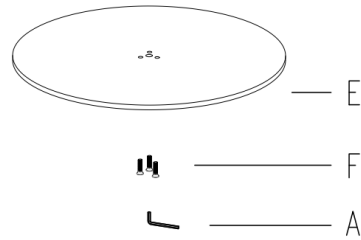
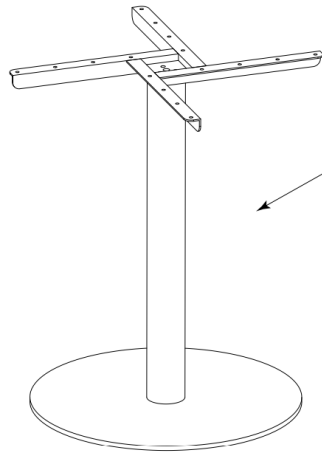
 — A

 — B

 — C

 — D

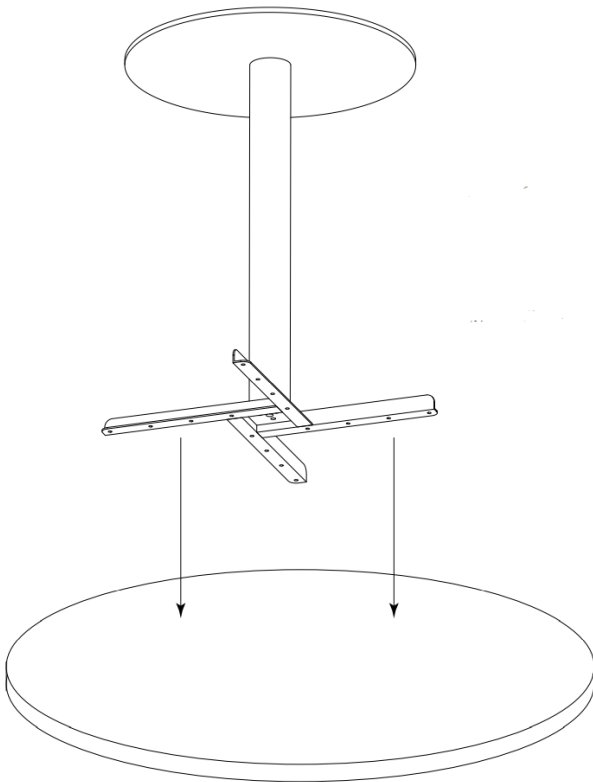
Step 1: Build your frame



Step 2: Once Frame is complete, flip upside down and centre on table top

Mark screw holes on table with pencil  
Remove frame and pre-drill your screw holes

Replace frame onto top, upside down and screw the frame to the top



Step 3: Flip right side up and your table is complete

