

## OASIS BREAK-OUT TABLE 730 HIGH

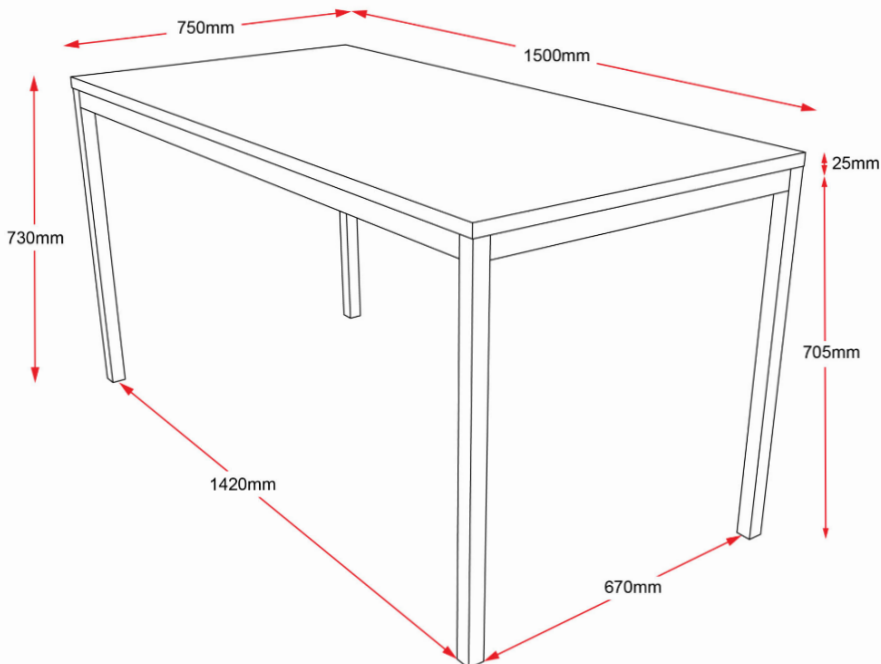
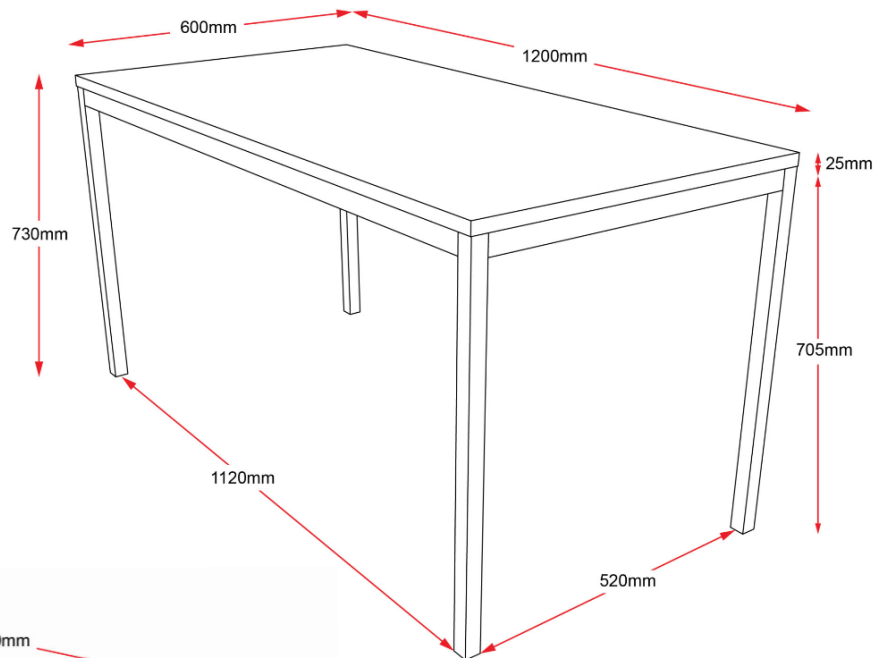
### Specifications:

- All Oasis Break-Out Tables are 730mm High
- Full underframe for strength
- E0 rated melamine board
- Black Powdercoated Steel Frame
- 4 Colours Available for top

Boxed Item - *Assembly Required*

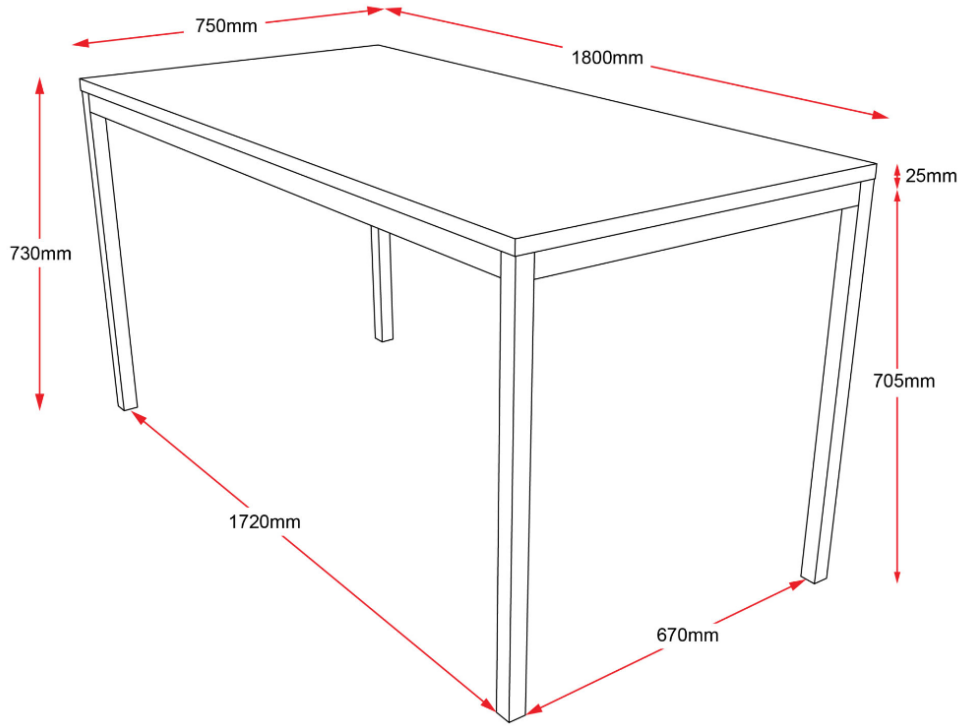
**3 YEAR**  
warranty

Product Code: #06172  
1200W x 600D

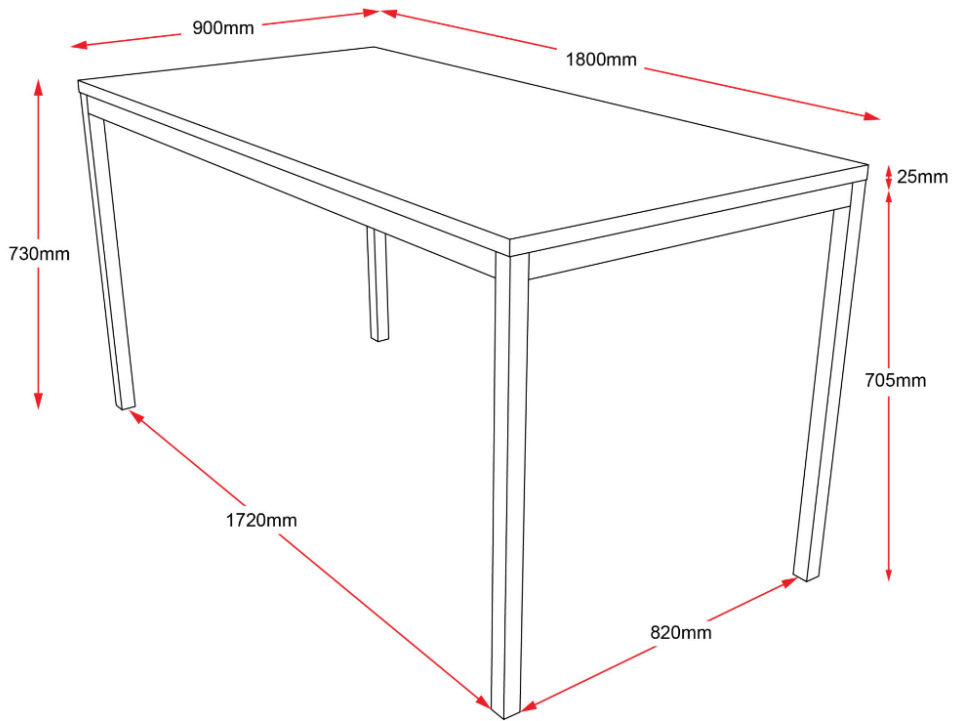


Product Code: #06173  
1500W x 750D

Product Code: #06174  
1800W x 750D



Product Code: #06175  
1800W x 900D



## OASIS BREAK-OUT TABLE 730 HIGH

Assembly Instructions:

Time Required: 25 minutes

Tools Required: Screwdriver, Electric Drill, Pencil, Measuring tape/Ruler

\*Tools are not included

Skills required:



*The Assembly Skill Rating is a 5-point system that shows the degree of effort needed in assembling a specific product. With 1 being easy for the average person and 5 requiring an expert. For most products, two persons are recommended*

### PLEASE NOTE

- As this is a commercial product, some intermediate skills may be required.
- Please check you have all hardware before assembling.
- Assemble on a clean, flat, smooth surface such as a rug or carpet to avoid parts from being scratched.
- Remove all wrapping materials, including staples and packing straps before you start to assemble
- Keep all hardware parts out of reach of children.

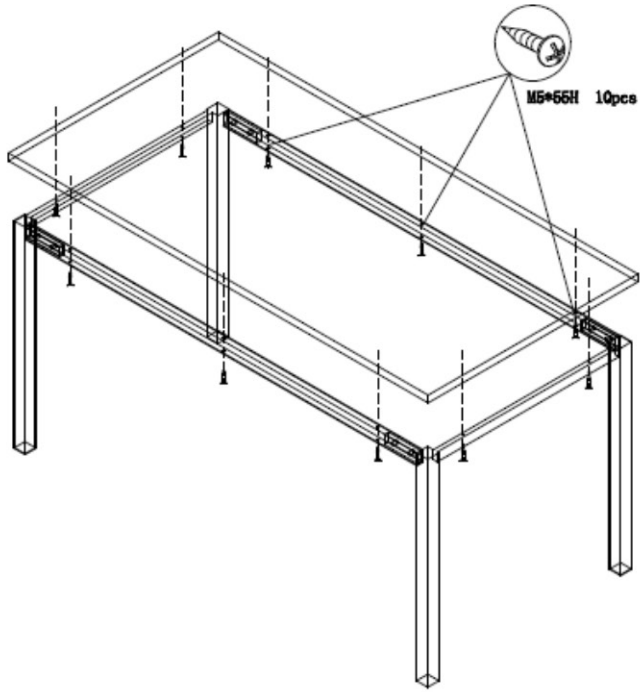
### CAUTION

- Heavy product. Do not attempt to lift or move without help
- Do not tighten screws and bolts until completely assembled.
- Do not use this product unless all bolts and screws are firmly secured and tightened.

### WARNING

- If parts are missing, broken, damaged or worn stop using the product until all repairs are made.
- Failure to follow these warnings could result in serious Injury

FOR ALL SIZES:



Attach frame to the table top using the provided screws as shown