

OASIS BOARDROOM TABLE - BLACK SPIDER BASE

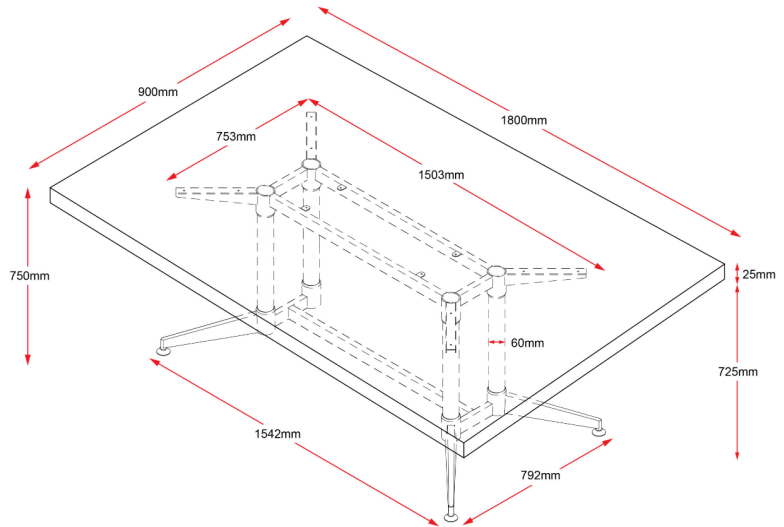
Specifications:

- Black Powdercoated Posts and Rails
- Adjustable Chrome Feet
- Available in 3 different sizes and colours

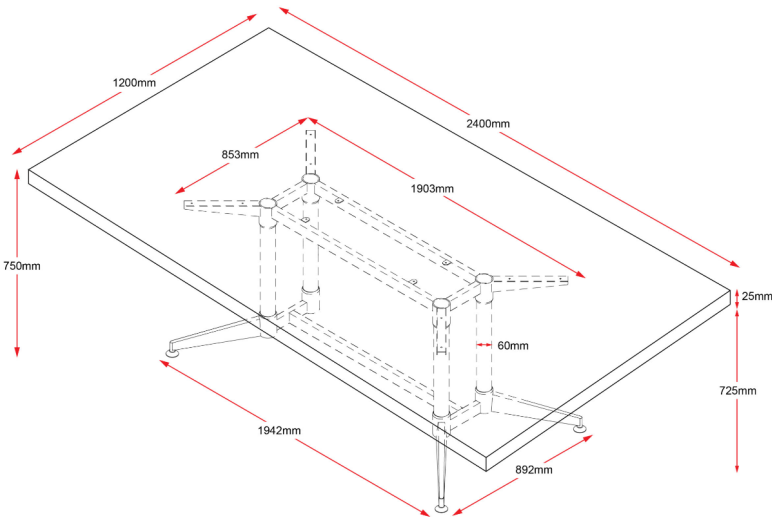
Boxed Item - *Assembly Required*

5 YEAR
warranty

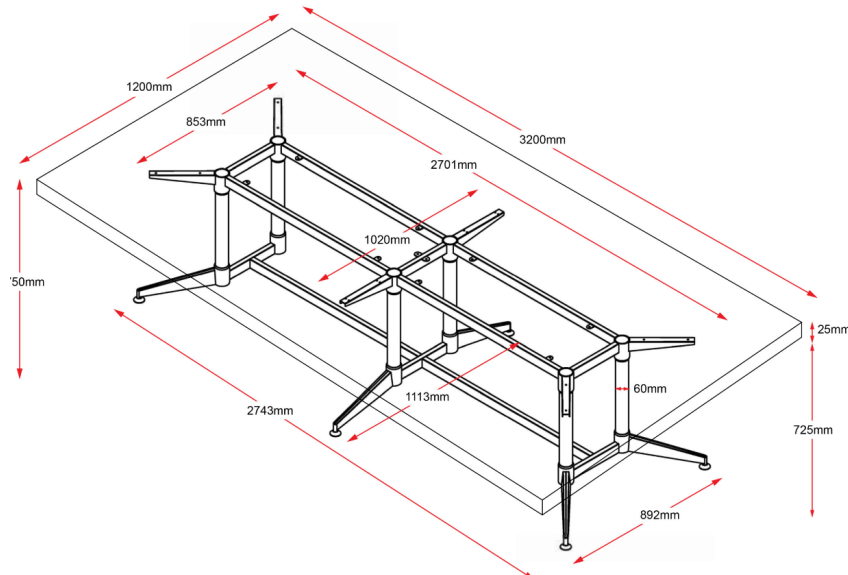
Product Code: #06150
1800W x 900D



Product Code: #06151
2400W x 1200D



Product Code: #06152
3200W x 1200D



OASIS BOARDROOM TABLE - BLACK SPIDER BASE

Assembly Instructions:

Time Required: 25 minutes

Tools Required: Screwdriver, Electric Drill, Pencil, Measuring tape/Ruler

*Tools are not included

Skills required:



The Assembly Skill Rating is a 5-point system that shows the degree of effort needed in assembling a specific product. With 1 being easy for the average person and 5 requiring an expert. For most products, two persons are recommended

PLEASE NOTE

- As this is a commercial product, some intermediate skills may be required.
- Please check you have all hardware before assembling.
- Assemble on a clean, flat, smooth surface such as a rug or carpet to avoid parts from being scratched.
- Remove all wrapping materials, including staples and packing straps before you start to assemble
- Keep all hardware parts out of reach of children.

CAUTION

- Heavy product. Do not attempt to lift or move without help
- Do not tighten screws and bolts until completely assembled.
- Do not use this product unless all bolts and screws are firmly secured and tightened.

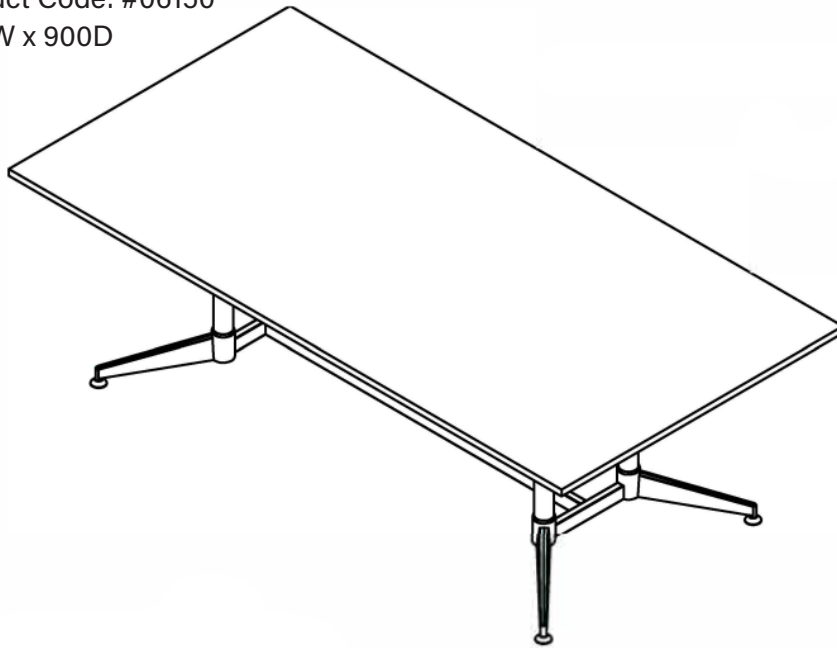
WARNING





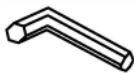

- If parts are missing, broken, damaged or worn stop using the product until all repairs are made.
- Failure to follow these warnings could result in serious Injury

Oasis Boardroom Table - Black Spider Base

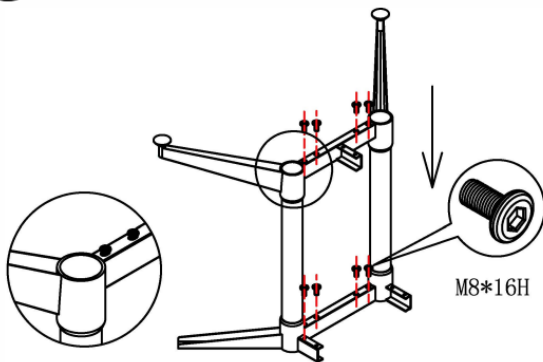
Product Code: #06150

1800W x 900D



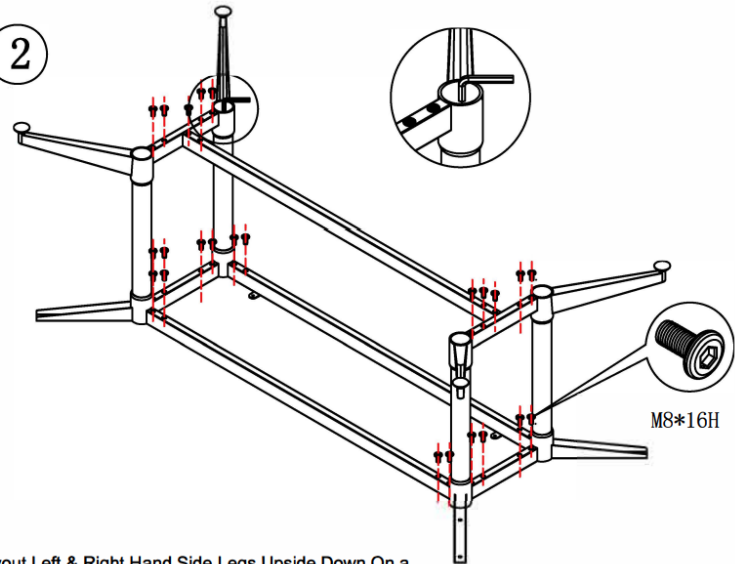
	M8*16H 28pcs
	M5*20H 12pcs
	M12 1pcs
	M6 1pcs
	M6 1pcs
	Ø16 1pcs

1



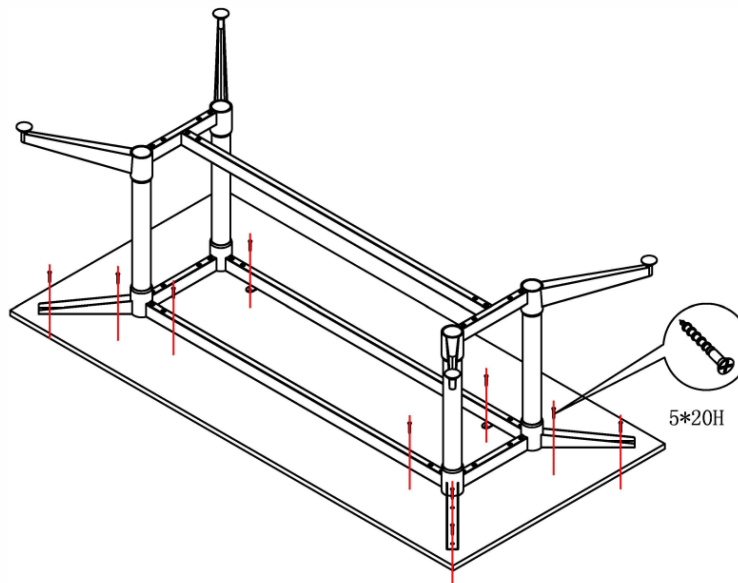
Slide Both The Bottom And Top Cross Bar Into The Left & Right Hand Side End Uprights - Attach Cross Bars With M8 Bolts (Do Not Completely Tighten Bolts)

2



Layout Left & Right Hand Side Legs Upside Down On a Flat Surface. Slide Central Support Beams Into Legs - Attach Support Beams With M8 Bolts (Do Not Completely Tighten Bolts) . Once The Frame Is Sitting Flush On the Flat Surface, Tighten All Bolts Completely.

3

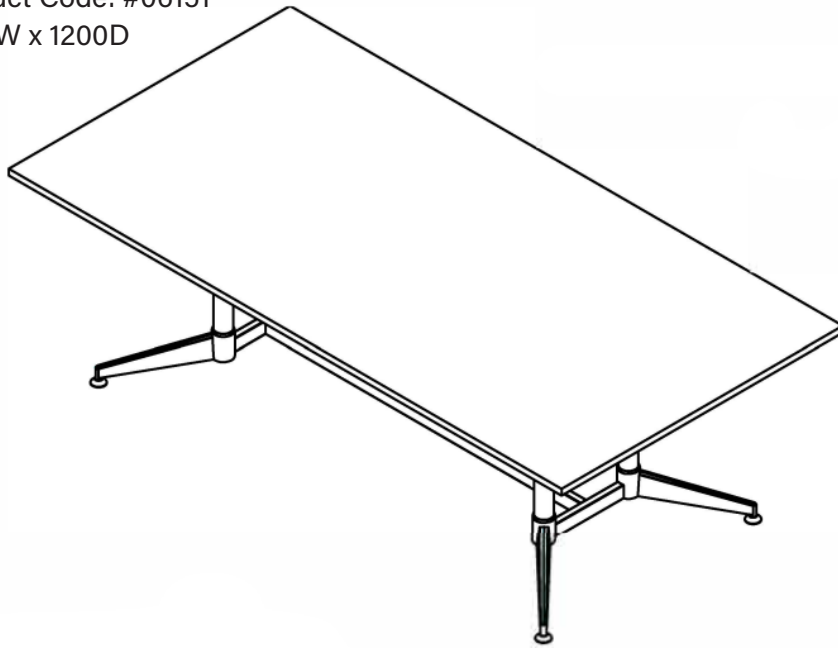






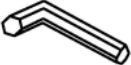

5*20H

Oasis Boardroom Table - Black Spider Base

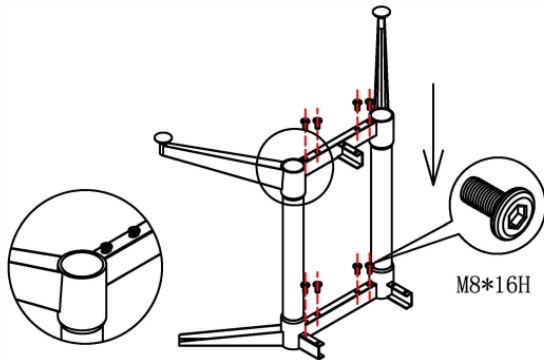
Product Code: #06151

2400W x 1200D



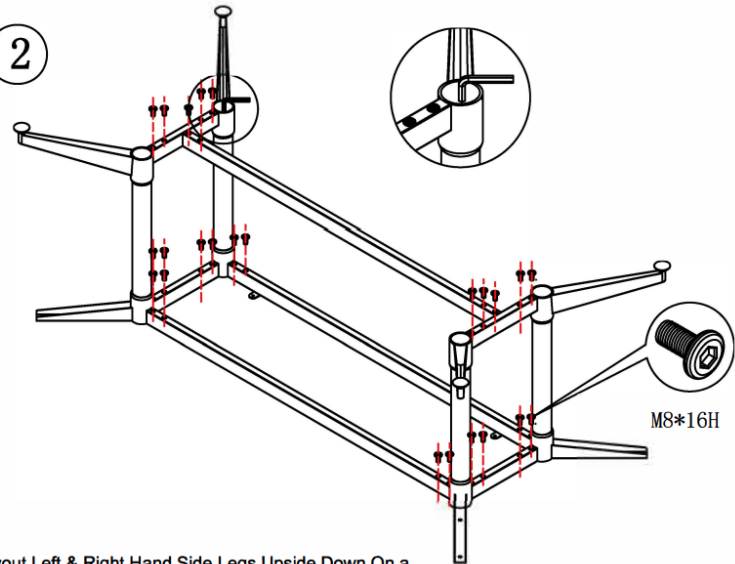
	M8*16H 28pcs
	M5*20H 12pcs
	M12 1pcs
	M6 1pcs
	M6 1pcs
	Ø16 1pcs

1



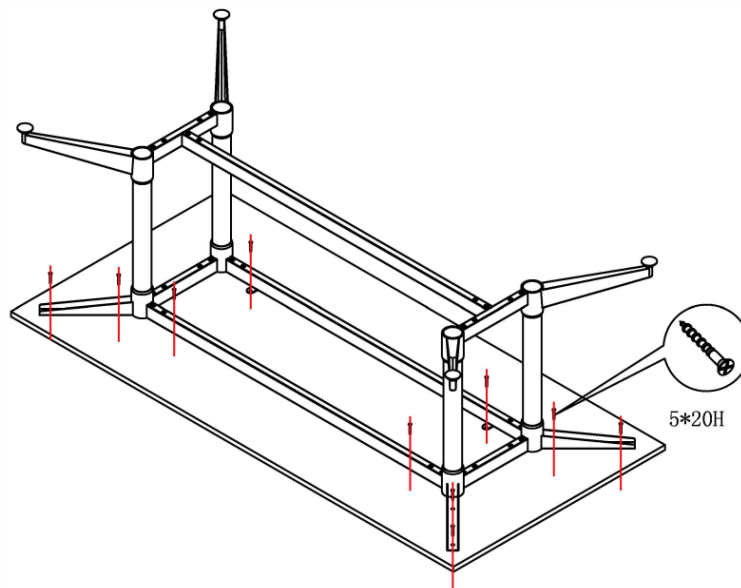
Slide Both The Bottom And Top Cross Bar Into The Left & Right Hand Side End Uprights - Attach Cross Bars With M8 Bolts (Do Not Completely Tighten Bolts)

2



Layout Left & Right Hand Side Legs Upside Down On a Flat Surface. Slide Central Support Beams Into Legs - Attach Support Beams With M8 Bolts (Do Not Completely Tighten Bolts) . Once The Frame Is Sitting Flush On The Flat Surface, Tighten All Bolts Completely.

3

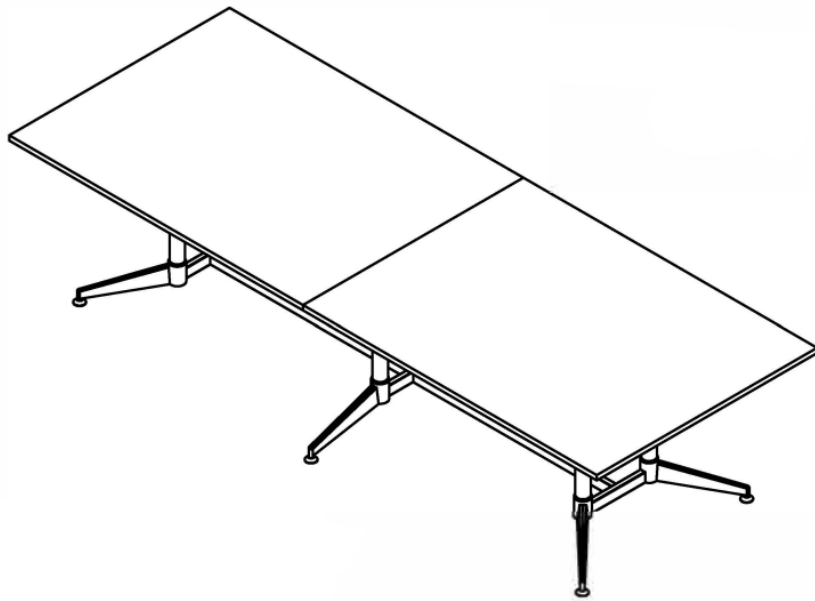






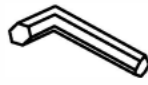

5*20H

Oasis Boardroom Table - Black Spider Base

Product Code: #06152

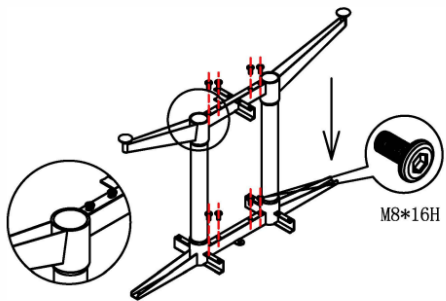
3200W x 1200D



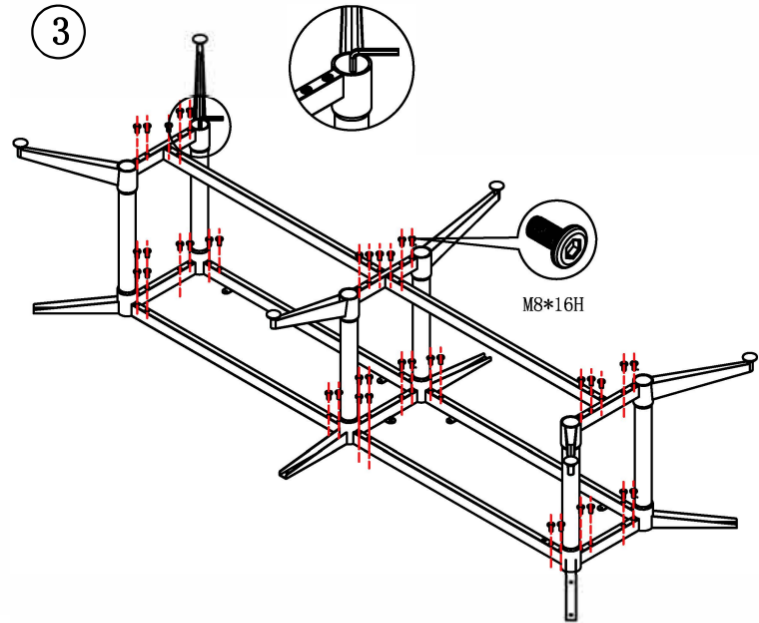
	M8*16H 48pcs
	M5*20H 26pcs
	M12 1pcs
	M6 1pcs
	M6 1pcs
	φ16 1pcs

2

Slide Both The Bottom And Top Cross Bar Into The Central Uprights - Attach Cross Bars With M8 Bolts (Do Not Completely Tighten Bolts)



3



Layout Left, Right and Central Leg Upside Down On a Flat Surface. Slide Central Support Beams Into Legs - Attach Support Beams With M8 Bolts (Do Not Completely Tighten Bolts) . Once The Frame Is Sitting Flush On the Flat Surface, Tighten All Bolts Completely.

4

