

OASIS RANGER - MOBILE FLIP TOP TABLE

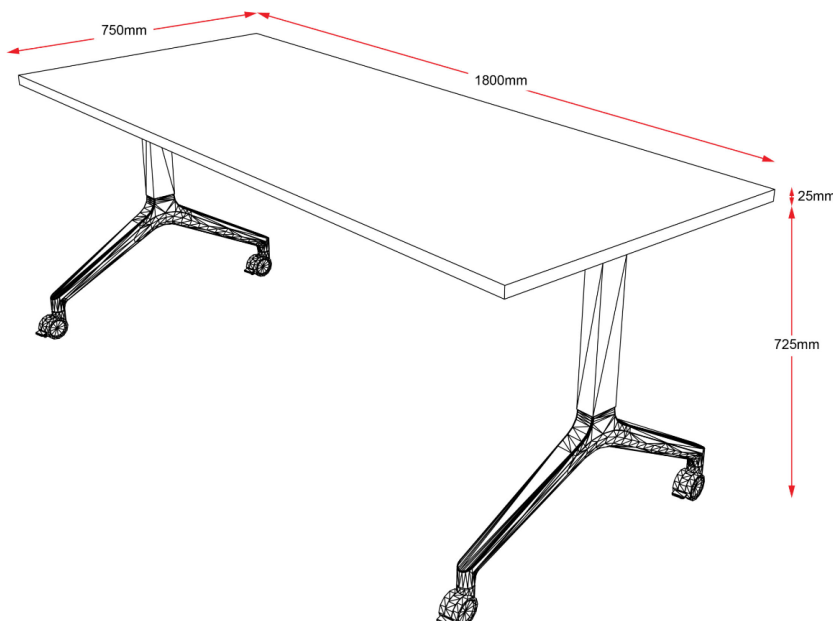
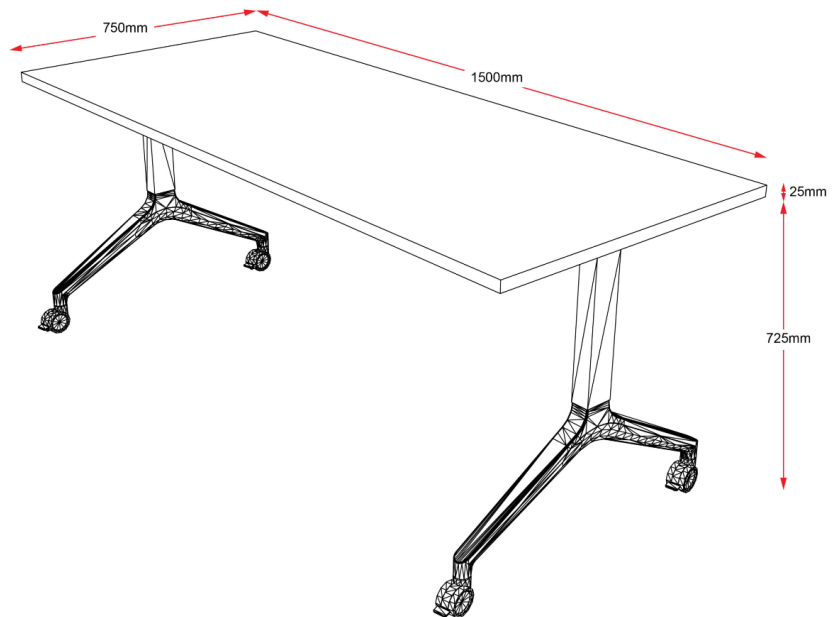
Specifications:

- Adjustable Width Frame
- Locking Castors
- Easy Flip Top Mechanism
- Free Up Floor Space
- Fold and Store When Not Using
- E0 Rated Melamine Board
- Precious Silver Frame

3YEAR
warranty

Boxed Item - *Assembly Required*

Product Code: #06145
1500W x 750D



Product Code: #06146
1800W x 750D

OASIS RANGER - MOBILE FLIP TOP TABLE

Assembly Instructions:

Time Required: 30 minutes

Tools Required: Screwdriver, Electric Drill, Pencil, Measuring tape/Ruler

*Tools are not included

Skills required:



The Assembly Skill Rating is a 5-point system that shows the degree of effort needed in assembling a specific product. With 1 being easy for the average person and 5 requiring an expert. For most products, two persons are recommended

*Please note, as this is a commercial product, some intermediate skills are required.
No pre-drill holes or markings are provided on tops.

PLEASE NOTE

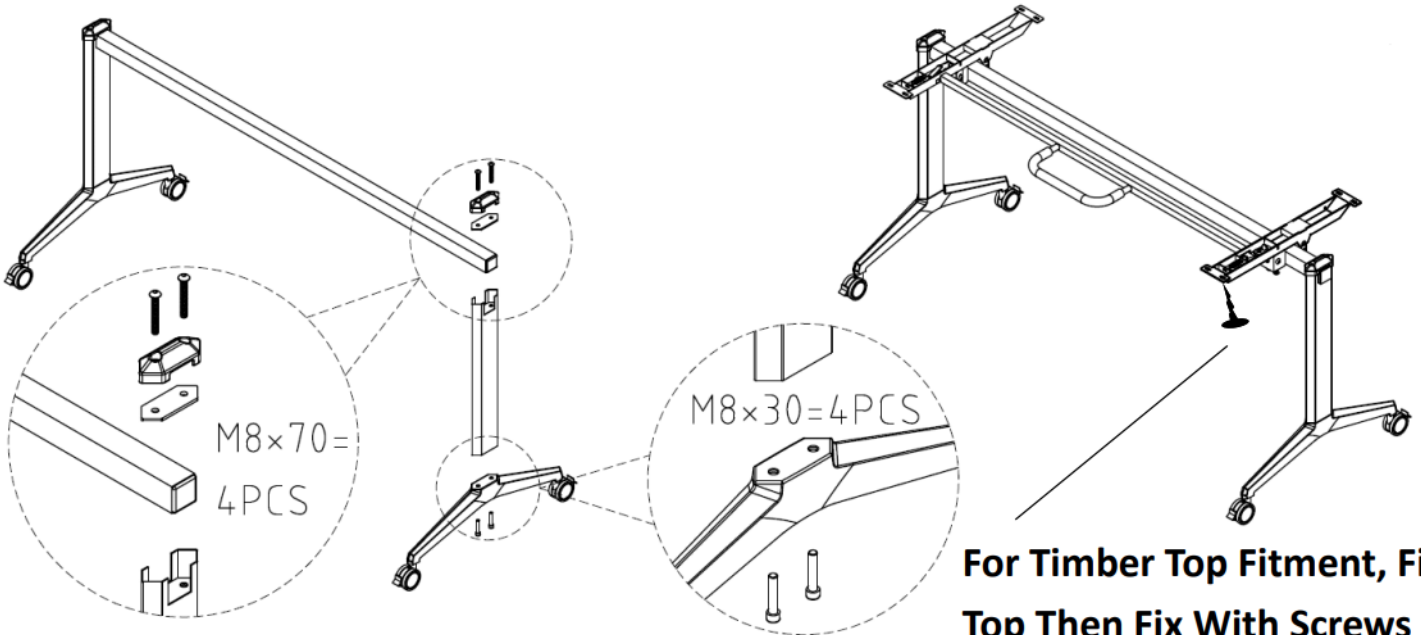
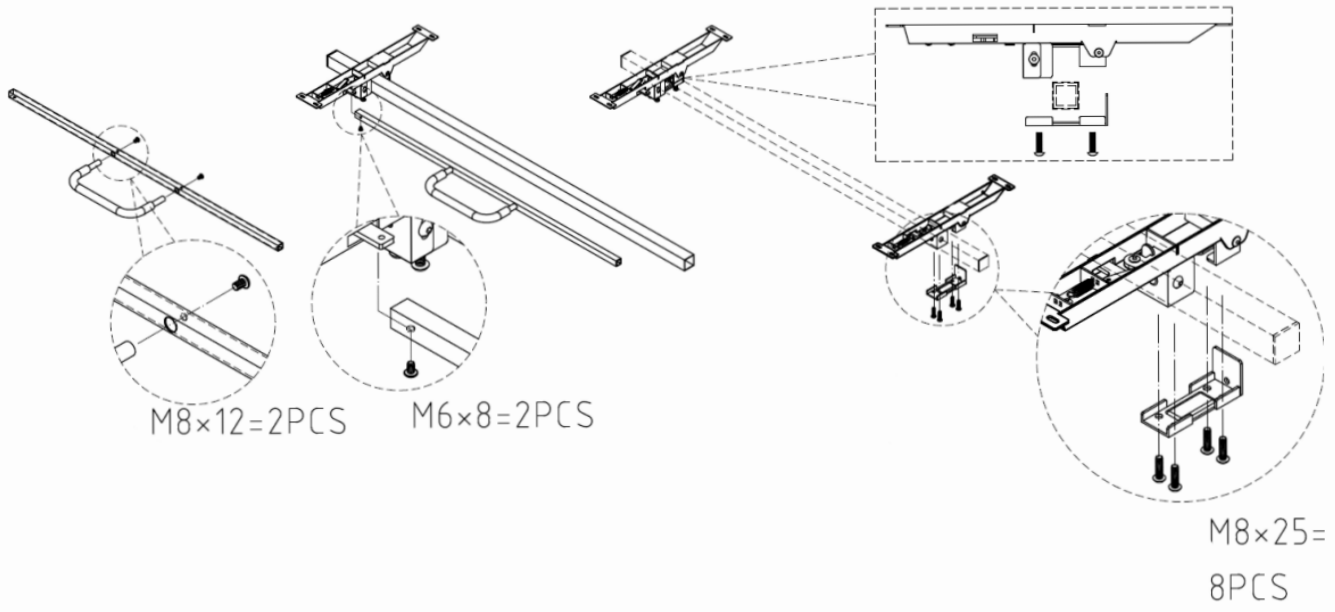
- As this is a commercial product, some intermediate skills may be required.
- Please check you have all hardware before assembling.
- Assemble on a clean, flat, smooth surface such as a rug or carpet to avoid parts from being scratched.
- Remove all wrapping materials, including staples and packing straps before you start to assemble
- Keep all hardware parts out of reach of children.

CAUTION

- Heavy product. Do not attempt to lift or move without help
- Do not tighten screws and bolts until completely assembled.
- Do not use this product unless all bolts and screws are firmly secured and tightened.

WARNING

- If parts are missing, broken, damaged or worn stop using the product until all repairs are made.
- Failure to follow these warnings could result in serious Injury



For Timber Top Fitment, First Centre Top Then Fix With Screws Provided
 8G x 20 Timber Screw (8pcs)