

OASIS BUSY - MOBILE FLIP TOP TABLE

Specifications:

- 730mm High
- Wastes No Space When Not In Use
- Black Steel Posts and Crossbar
- Polished Aluminum Feet
- Locking Castors
- E0 Rated Melamine Board
- 3 Year Warranty

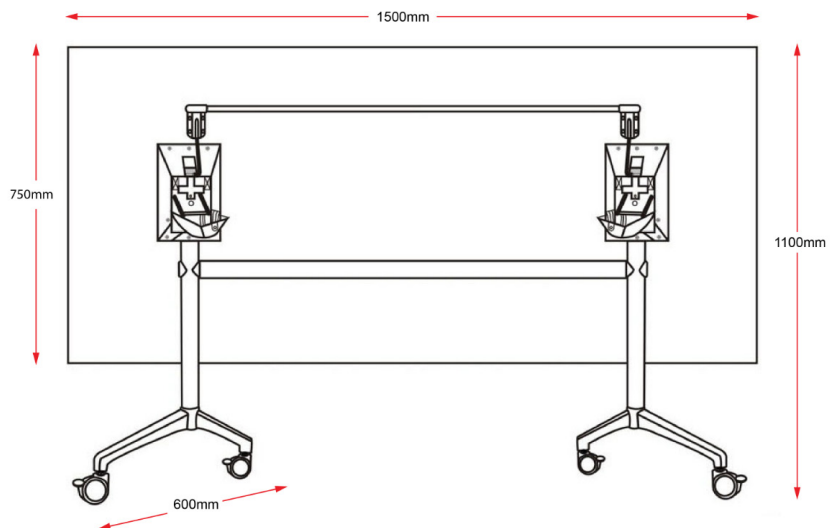
3 YEAR
warranty

Boxed Item - *Assembly Required*

Product Code: #06147
1500W x 750D



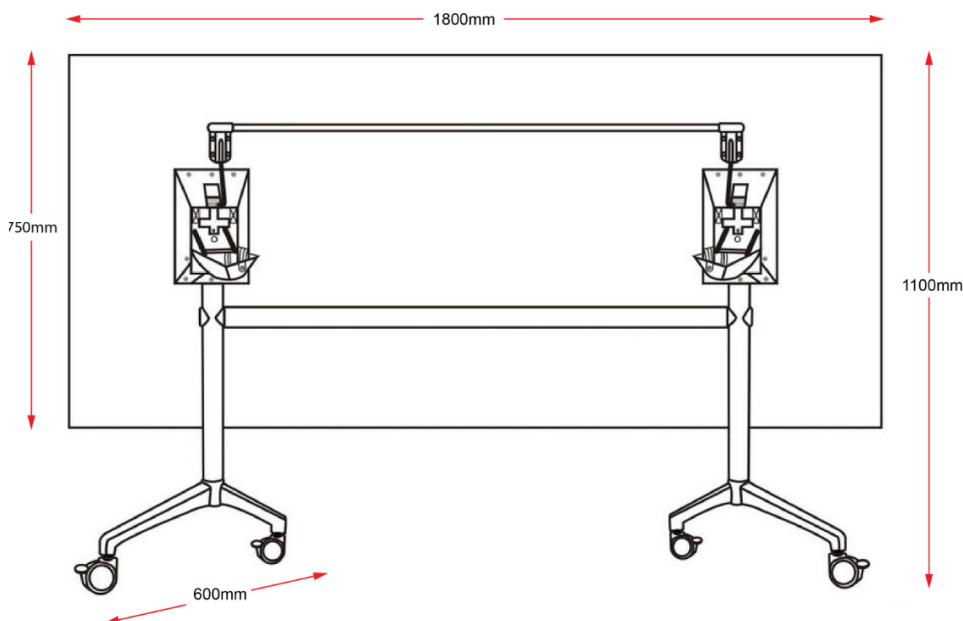
WEIGHT
CAPACITY



Product Code: #06148
1800W x 750D



WEIGHT
CAPACITY



OASIS BUSY - MOBILE FLIP TOP TABLE

Assembly Instructions:

Time Required: 25 minutes

Tools Required: Screwdriver, Electric Drill, Pencil, Measuring tape/Ruler

*Tools are not included

Skills required:



The Assembly Skill Rating is a 5-point system that shows the degree of effort needed in assembling a specific product. With 1 being easy for the average person and 5 requiring an expert. For most products, two persons are recommended

PLEASE NOTE

- As this is a commercial product, some intermediate skills may be required.
- Please check you have all hardware before assembling.
- Assemble on a clean, flat, smooth surface such as a rug or carpet to avoid parts from being scratched.
- Remove all wrapping materials, including staples and packing straps before you start to assemble
- Keep all hardware parts out of reach of children.

CAUTION

- Heavy product. Do not attempt to lift or move without help
- Do not tighten screws and bolts until completely assembled.
- Do not use this product unless all bolts and screws are firmly secured and tightened.

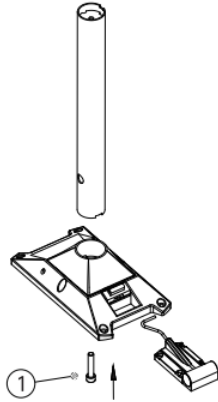
WARNING

- If parts are missing, broken, damaged or worn stop using the product until all repairs are made.
- Failure to follow these warnings could result in serious Injury

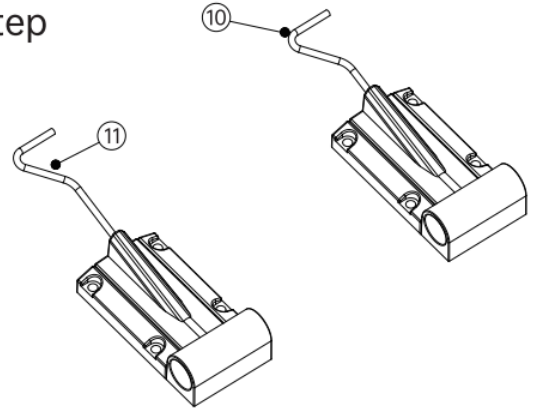
Parts:

① 4PCS M10*60H	② 2PCS M8*90H	③ 12PCS M5*30H	④ 8PCS M5*20H	⑤ 4PCS	⑥ 1PCS 8MM	⑦ 1PCS 5MM	⑧ 1PCS M14	⑨ 2PCS	⑩ 2PCS	⑪ 2PCS

First Step



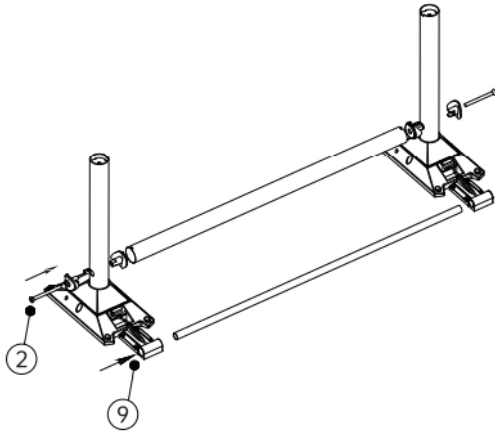
Second Step



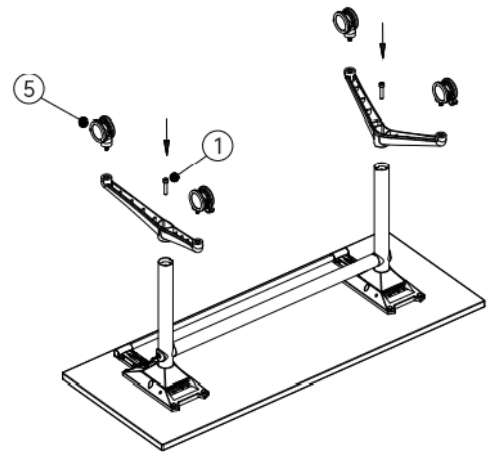
Remarks:

Long hook: to match the 800-900mm wide desktop;
Short hook: to match the 600-800mm wide desktop;

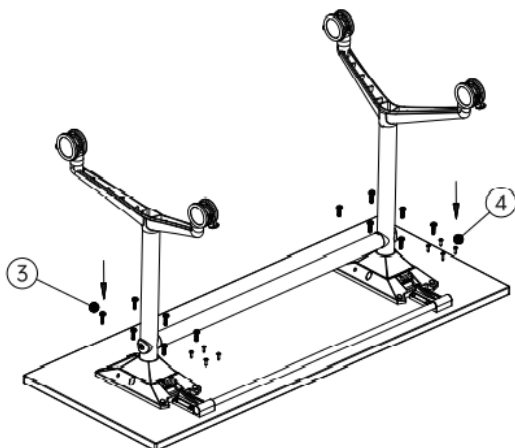
Third Step



The Fourth Step



The Fifth Step



The Table Is Installed

