

## OASIS BREAK-OUT FOLDING TABLE

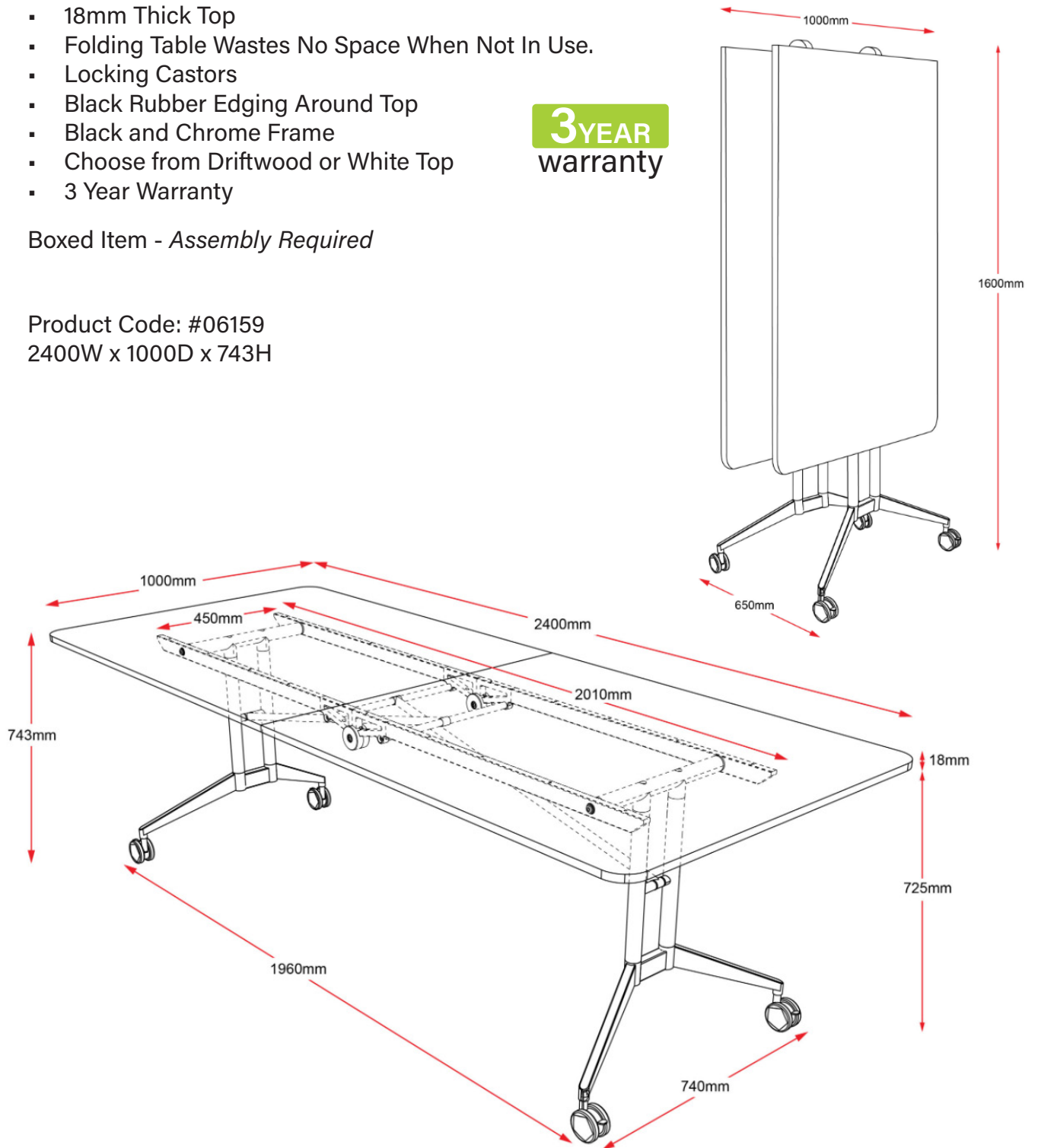
### Specifications:

- 18mm Thick Top
- Folding Table Wastes No Space When Not In Use.
- Locking Castors
- Black Rubber Edging Around Top
- Black and Chrome Frame
- Choose from Driftwood or White Top
- 3 Year Warranty

**3YEAR**  
warranty

Boxed Item - Assembly Required

Product Code: #06159  
2400W x 1000D x 743H



## OASIS BREAK-OUT FOLDING TABLE

Assembly Instructions:

Time Required: 20minutes

Tools Required: Screwdriver, Electric Drill, Pencil, Measuring tape/Ruler

\*Tools are not included

Skills required:



*The Assembly Skill Rating is a 5-point system that shows the degree of effort needed in assembling a specific product. With 1 being easy for the average person and 5 requiring an expert. For most products, two persons are recommended*

*Please note, as this is a commercial product, some intermediate skills are required.  
\*No pre-drill holes or markings are provided on tops.*

### PLEASE NOTE






- As this is a commercial product, some intermediate skills may be required.
- Please check you have all hardware before assembling.
- Assemble on a clean, flat, smooth surface such as a rug or carpet to avoid parts from being scratched.
- Remove all wrapping materials, including staples and packing straps before you start to assemble
- Keep all hardware parts out of reach of children.

### CAUTION

- Heavy product. Do not attempt to lift or move without help
- Do not tighten screws and bolts until completely assembled.
- Do not use this product unless all bolts and screws are firmly secured and tightened.

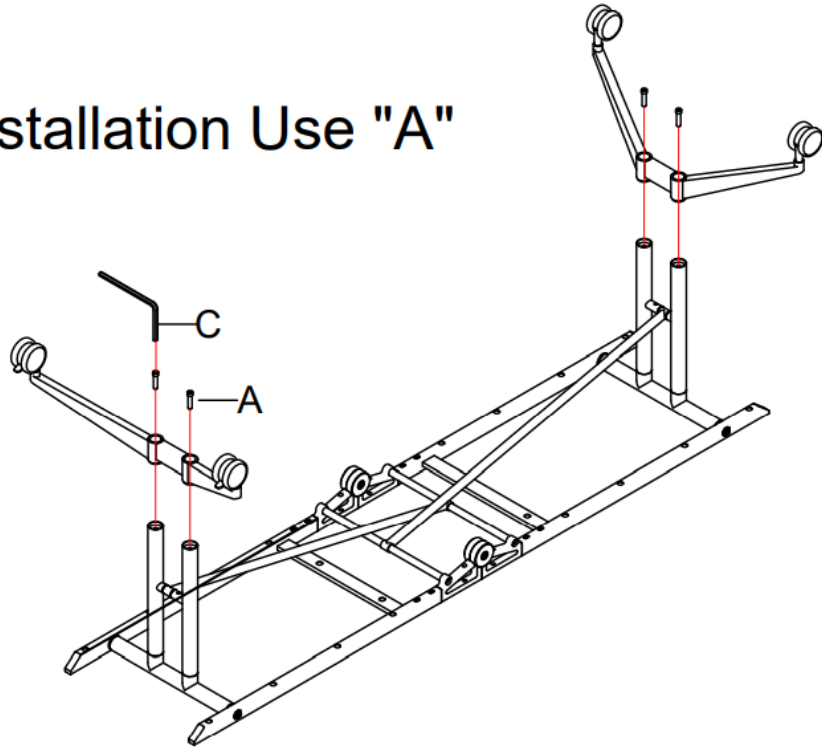
### WARNING

- If parts are missing, broken, damaged or worn stop using the product until all repairs are made.
- Failure to follow these warnings could result in serious Injury

S/N	PICTURE	NAME	QTY	UNIT	REMARK
A		Screw φ8*40	4	PCS	
B		Screw φ4*16	20	PCS	
C		6MM	1	PCS	
D		Connector	1	PCS	
		Screw φ4*25	8		
E		Screw φ4*30	4	PCS	

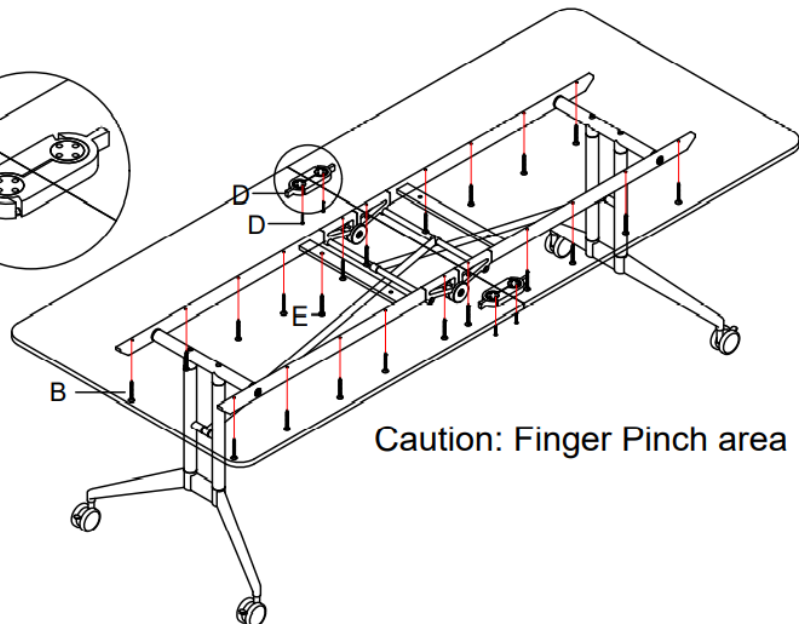
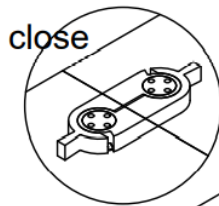
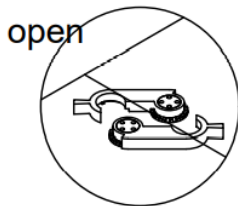
## 1. Complete leg installation Use "A"

A(4X)  
C(1X)



## 2. Complete table-board installation Use "B" and "D"

B(20X)



Caution: Finger Pinch area