

OASIS COFFEE TABLE

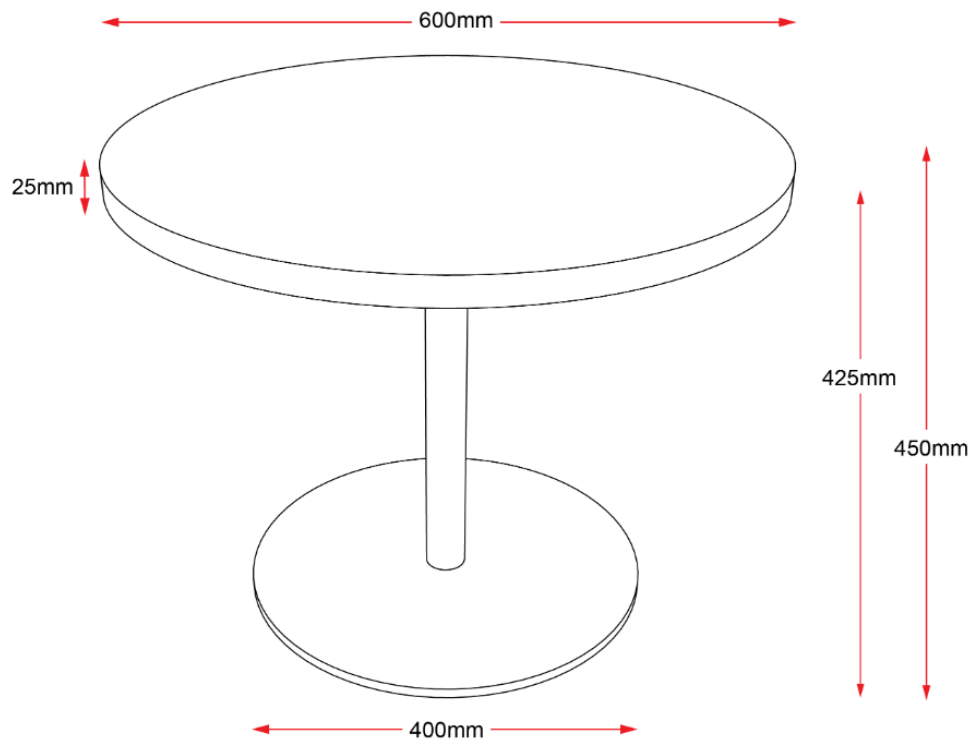
Specifications:

- The top of the Oasis Coffee Table is made of 'E0 Environmentally Friendly Board'
- Flush Flat Disc Base
- 600 Round Top

Boxed Item - *Assembly Required*

Product Code: #06168
600 Round Top

3 YEAR
warranty



OASIS COFFEE TABLE

Assembly Instructions:

Time Required: 20minutes

Tools Required: Screwdriver, Electric Drill, Pencil, Measuring tape/Ruler

*Tools are not included

Skills required:



The Assembly Skill Rating is a 5-point system that shows the degree of effort needed in assembling a specific product. With 1 being easy for the average person and 5 requiring an expert. For most products, two persons are recommended

PLEASE NOTE




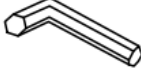

- As this is a commercial product, some intermediate skills may be required.
- Please check you have all hardware before assembling.
- Assemble on a clean, flat, smooth surface such as a rug or carpet to avoid parts from being scratched.
- Remove all wrapping materials, including staples and packing straps before you start to assemble
- Keep all hardware parts out of reach of children.

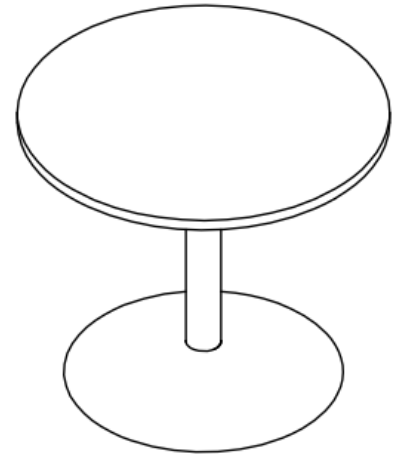
CAUTION

- Heavy product. Do not attempt to lift or move without help
- Do not tighten screws and bolts until completely assembled.
- Do not use this product unless all bolts and screws are firmly secured and tightened.

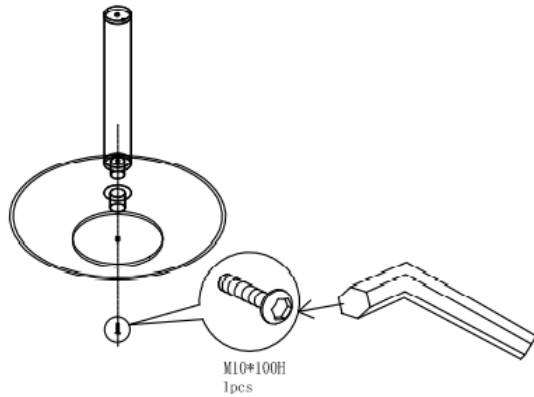
WARNING

- If parts are missing, broken, damaged or worn stop using the product until all repairs are made.
- Failure to follow these warnings could result in serious Injury

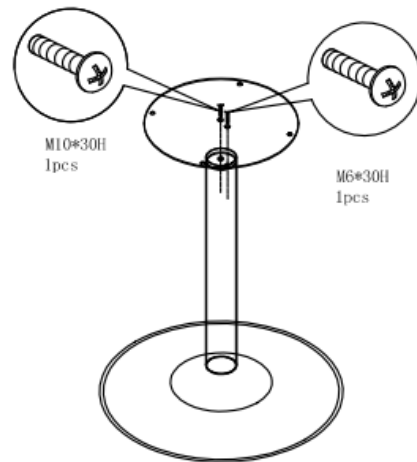
	M5*20H 4pcs		M10*100H 1pcs
	M10*30H 1pcs		1pcs
	M6*30H 1pcs		



Step 1:
Attach Bottom Disc to the base of the centre pole



Sept 2:
Attach top disc to top of the pole



Step 3:
Centre the top on base then attach top using screws indicated.

Note: It may be easier to do this upside down with the top on a soft surface, and the frame centered upside down on the top.
Use a pencil to mark the screw locations and pre-drill holes first if necessary

