

OASIS BOARDROOM TABLE 2400

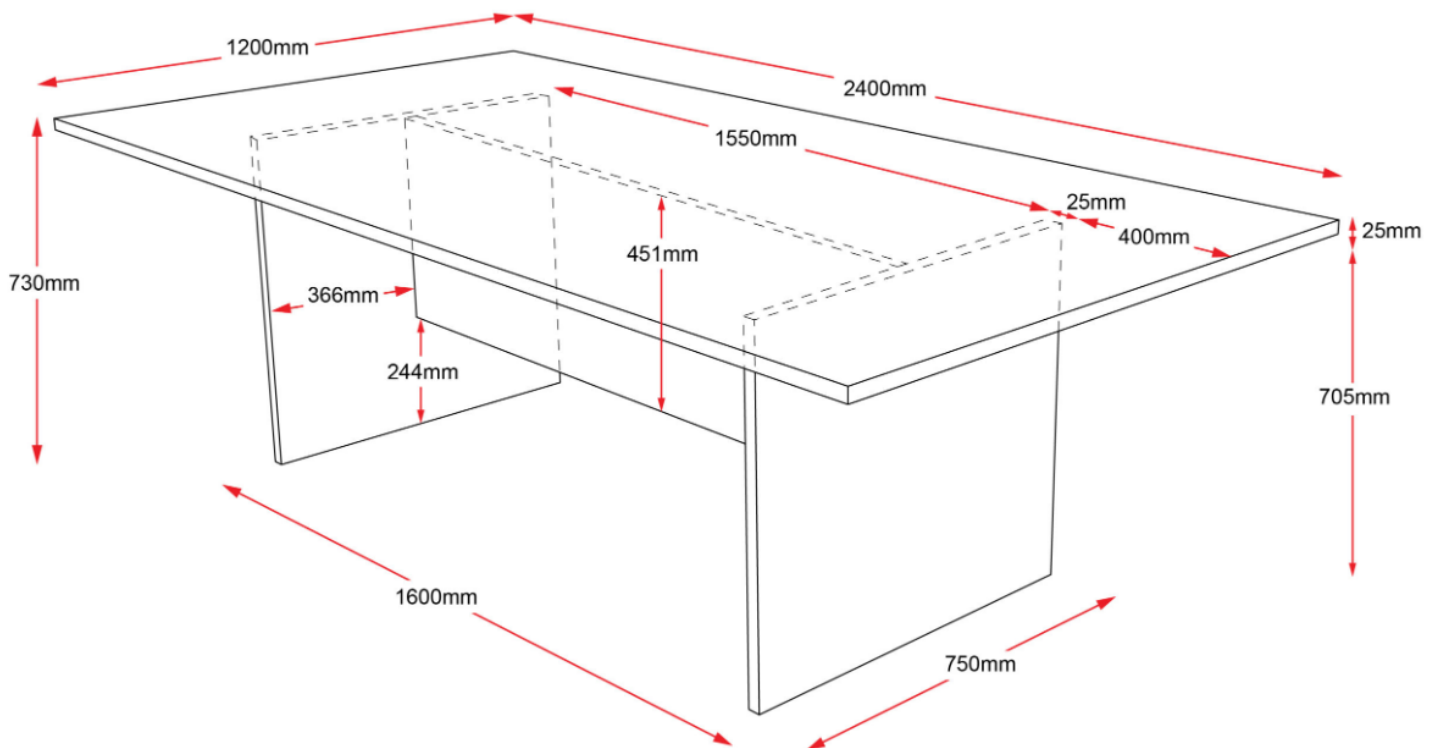
Specifications:

- The Oasis Boardroom table has a rectangle 25mm Top. Made out of 'E0 Environmentally Friendly Board'
- 18mm Sides
- Ironstone Base
- Strong and durable and backed by a 5 year warranty.

5 YEAR
warranty

Boxed Item - Assembly Required

Product Code: #06153
2400W x 1200D



OASIS BOARDROOM TABLE 2400

Assembly Instructions:

Time Required: 25minutes

Tools Required: Screwdriver, Electric Drill, Pencil, Measuring tape/Ruler

*Tools are not included

Skills required:



The Assembly Skill Rating is a 5-point system that shows the degree of effort needed in assembling a specific product. With 1 being easy for the average person and 5 requiring an expert. For most products, two persons are recommended

*Please note, as this is a commercial product, some intermediate skills are required.
No pre-drill holes or markings are provided on tops.

PLEASE NOTE

- As this is a commercial product, some intermediate skills may be required.
- Please check you have all hardware before assembling.
- Assemble on a clean, flat, smooth surface such as a rug or carpet to avoid parts from being scratched.
- Remove all wrapping materials, including staples and packing straps before you start to assemble
- Keep all hardware parts out of reach of children.

CAUTION

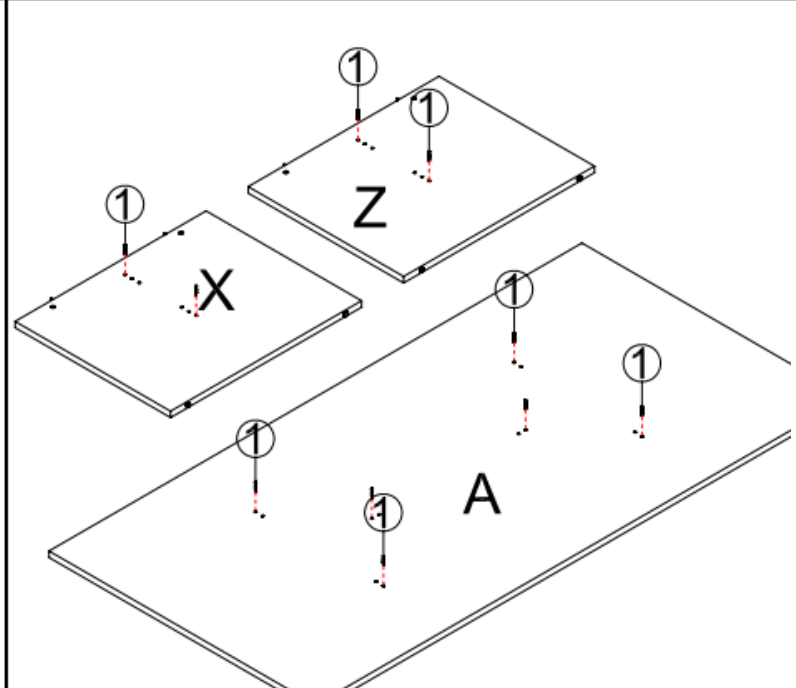
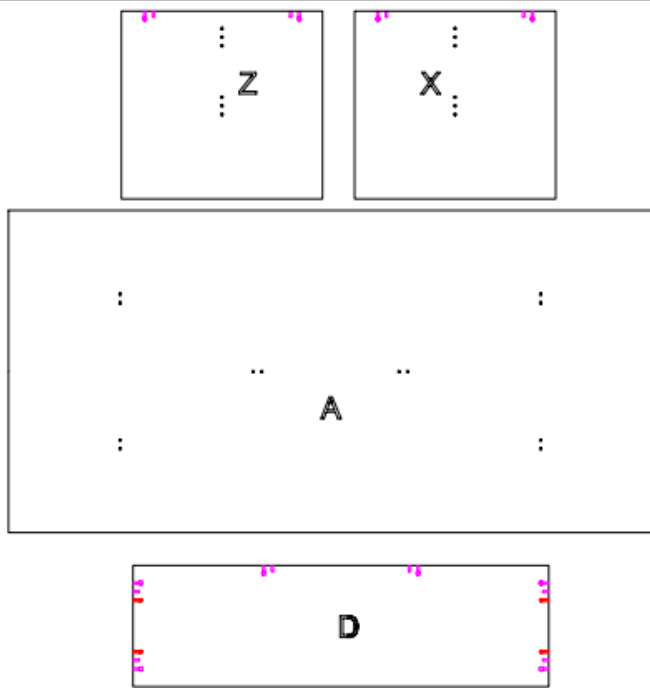
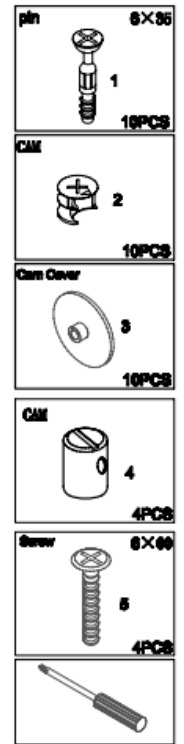
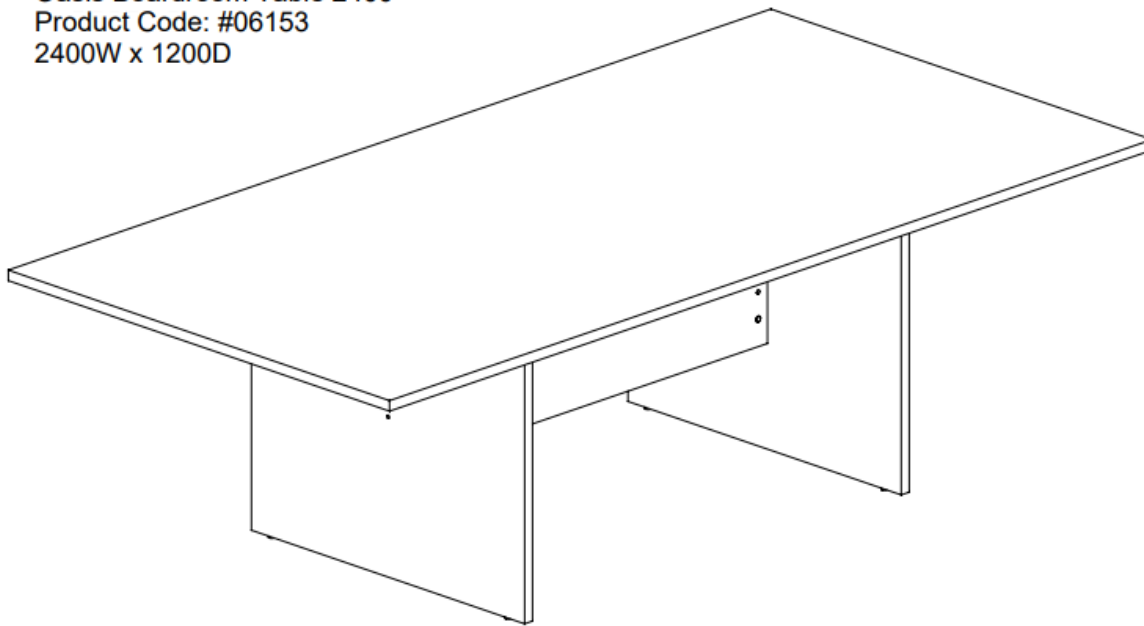
- Heavy product. Do not attempt to lift or move without help
- Do not tighten screws and bolts until completely assembled.
- Do not use this product unless all bolts and screws are firmly secured and tightened.

WARNING

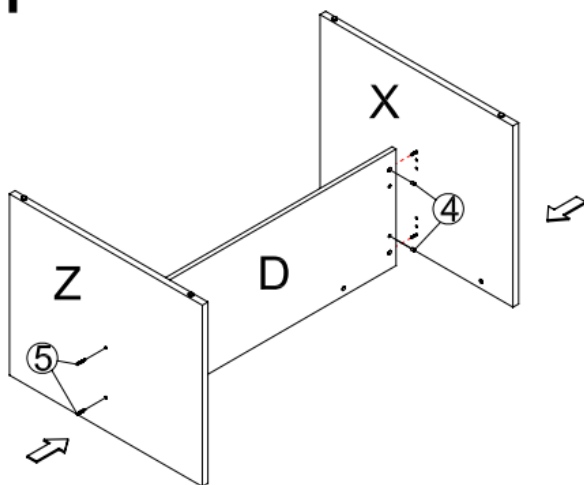
- If parts are missing, broken, damaged or worn stop using the product until all repairs are made.
- Failure to follow these warnings could result in serious Injury

ASSEMBLY INSTRUCTIONS

Oasis Boardroom Table 2400
 Product Code: #06153
 2400W x 1200D



1



2

