

OASIS OPEN BOOKCASE

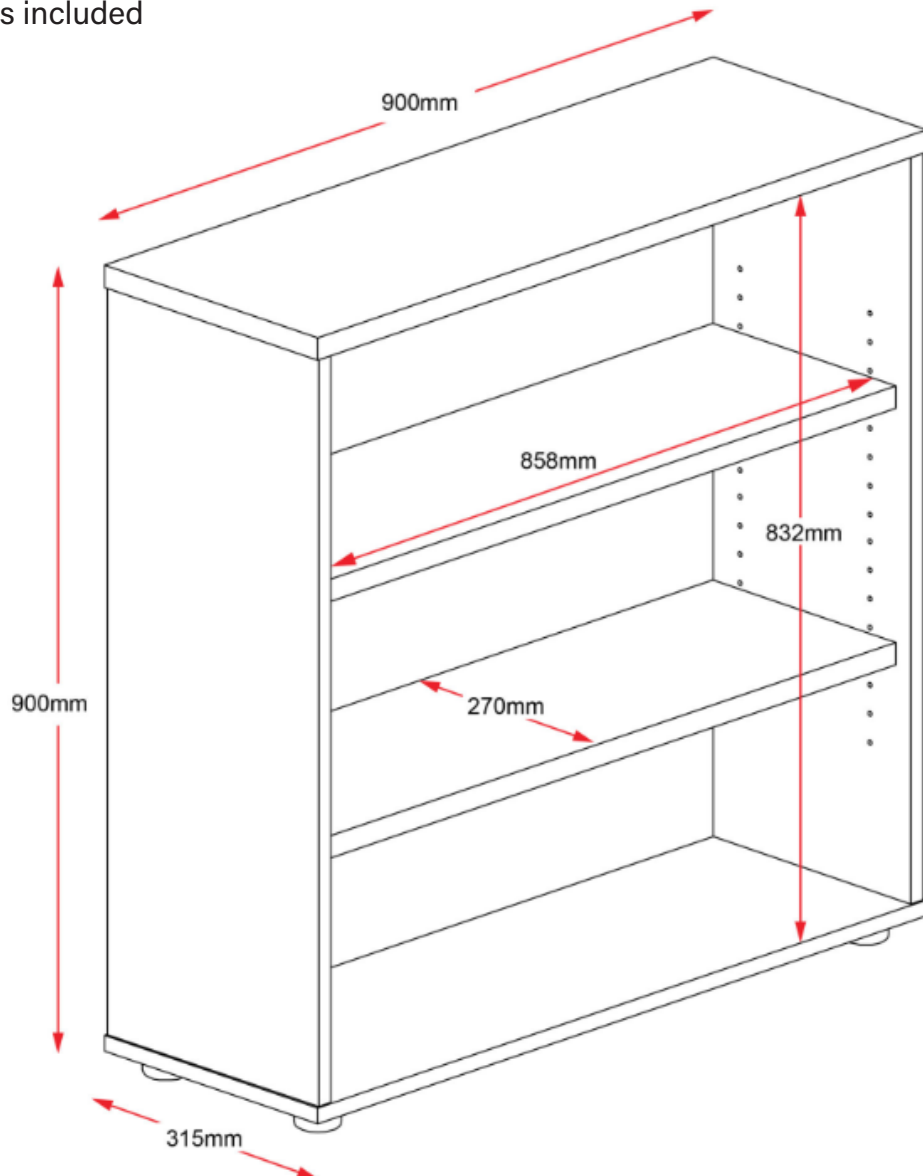
Specifications:

- The Oasis Open Bookcases are constructed of 'E0 Environmentally Friendly Board'.
- Strong and durable and backed by a 5 year warranty.
- Available in 3 sizes
- Extra shelves available \$POA

5 YEAR
warranty

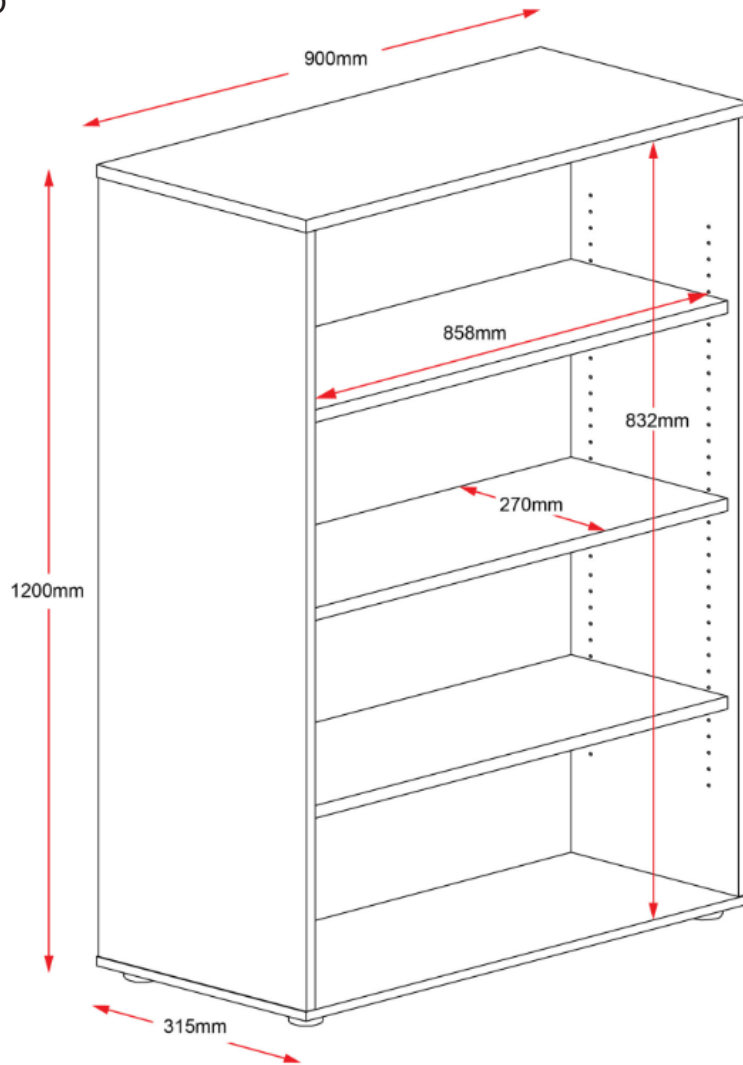
Boxed Item - Assembly Required

Product Code: #06139
900H x 900W x 315D
*2 Shelves included

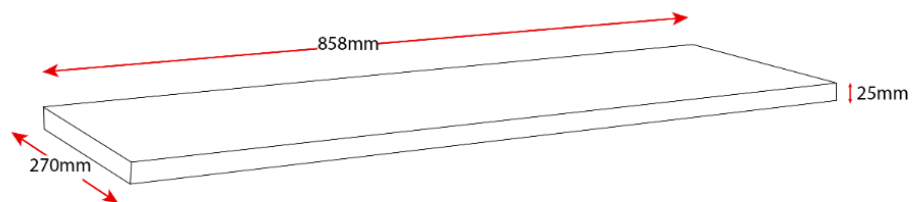


OASIS OPEN BOOKCASE

Product Code: #06140
1200H x 900W x 315D
*3 Shelves included

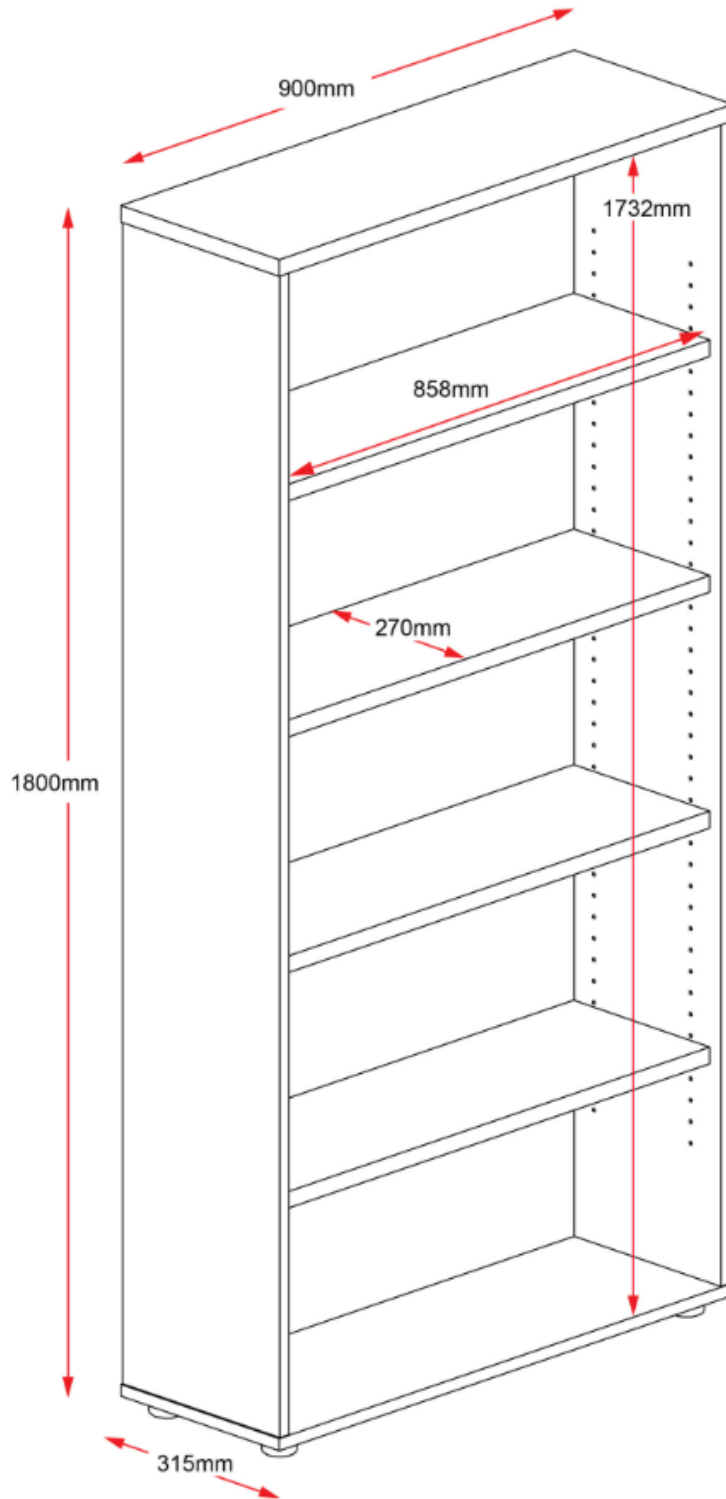


Extra Shelf



OASIS OPEN BOOKCASE

Product Code: #06141
1800H x 900W x 315D
*4 Shelves included



OASIS OPEN BOOKCASES

Assembly Instructions:

Time Required: 30minutes

Tools Required: Screwdriver, Electric Drill, Pencil, Measuring tape/Ruler

*Tools are not included

Skills required:



The Assembly Skill Rating is a 5-point system that shows the degree of effort needed in assembling a specific product. With 1 being easy for the average person and 5 requiring an expert. For most products, two persons are recommended

PLEASE NOTE

- As this is a commercial product, some intermediate skills may be required.
- Please check you have all hardware before assembling.
- Assemble on a clean, flat, smooth surface such as a rug or carpet to avoid parts from being scratched.
- Remove all wrapping materials, including staples and packing straps before you start to assemble
- Keep all hardware parts out of reach of children.

CAUTION

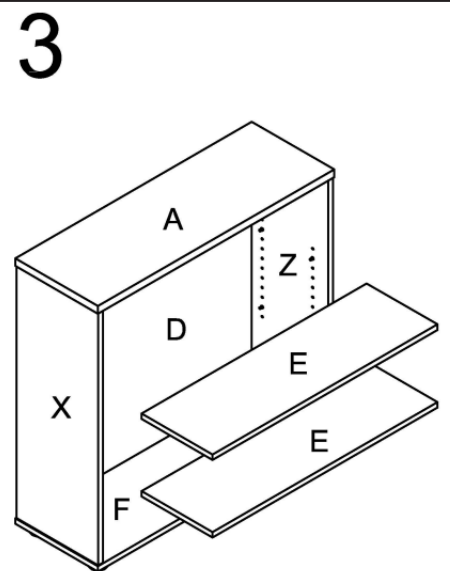
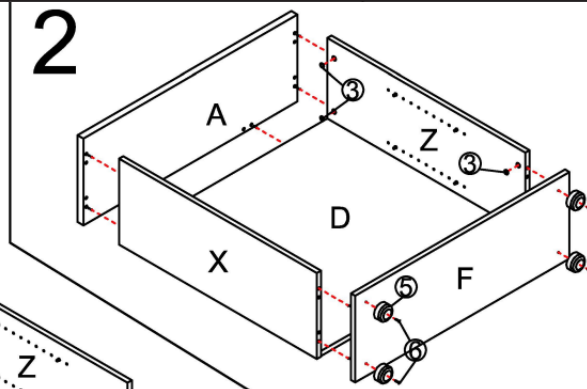
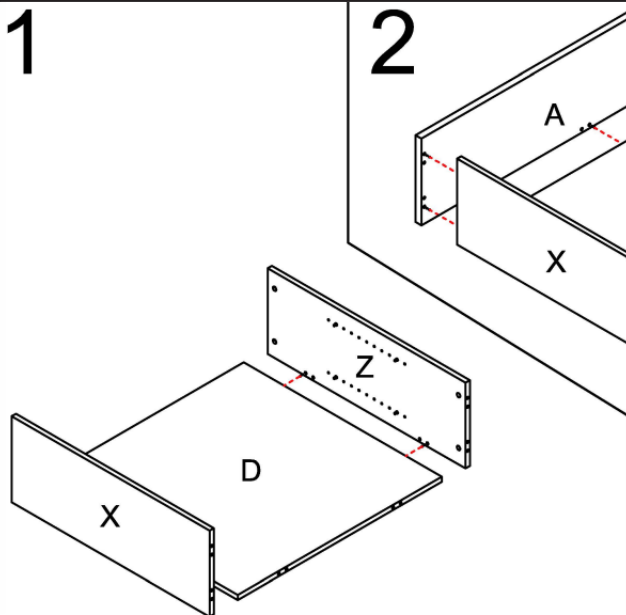
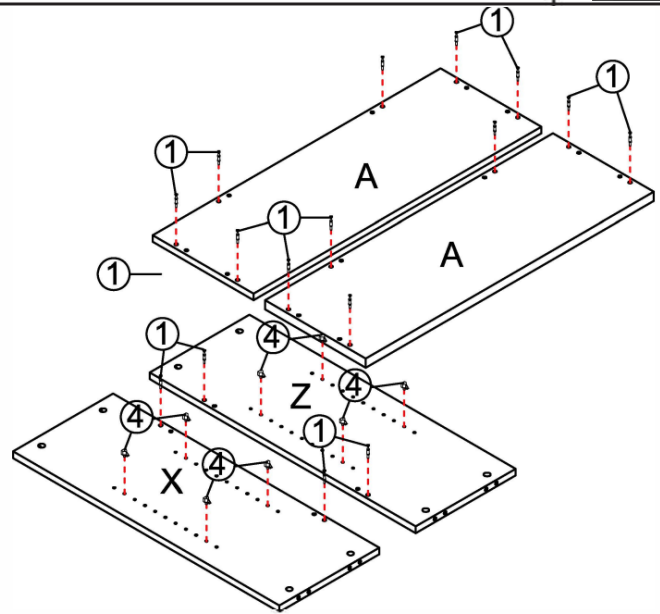
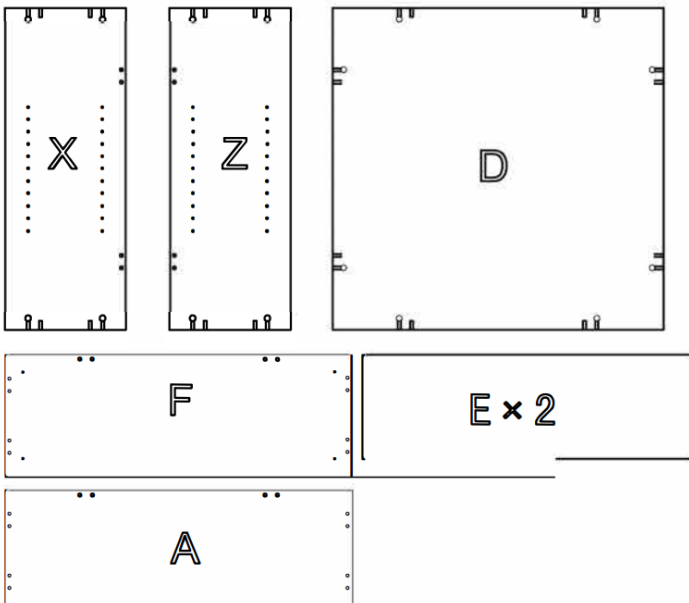
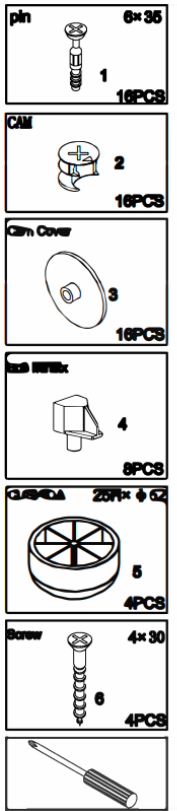
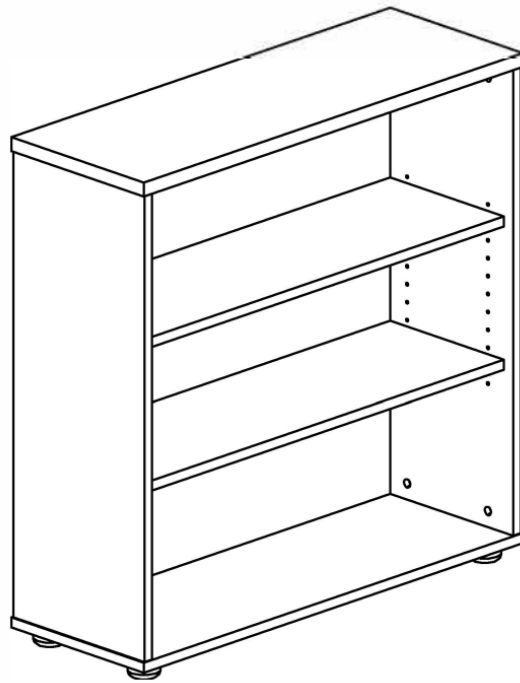
- Heavy product. Do not attempt to lift or move without help
- Do not tighten screws and bolts until completely assembled.
- Do not use this product unless all bolts and screws are firmly secured and tightened.

WARNING

- If parts are missing, broken, damaged or worn stop using the product until all repairs are made.
- Failure to follow these warnings could result in serious Injury

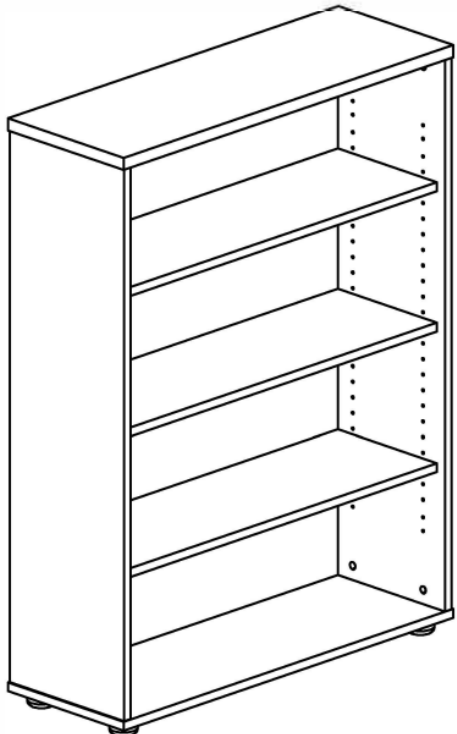
ASSEMBLY INSTRUCTIONS

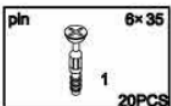
Oasis Open Bookcase
 Product Code: #06139
 900H x 900W x 315D

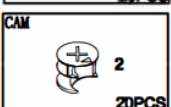


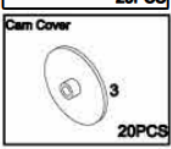
ASSEMBLY INSTRUCTIONS


Oasis Open Bookcase
 Product Code: #06140
 1200H x 900W x 315D

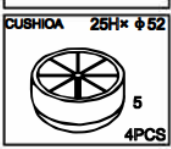


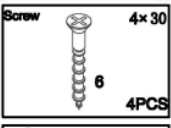
- 


pin 6x35
1
20PCS
- 

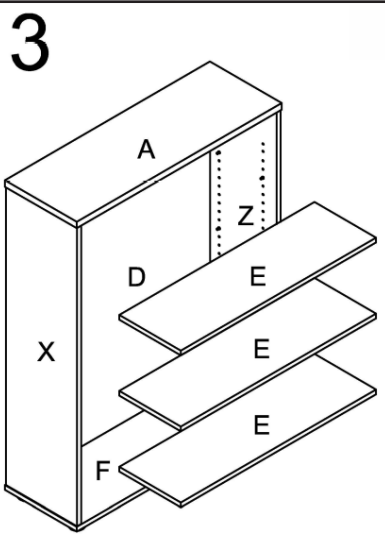
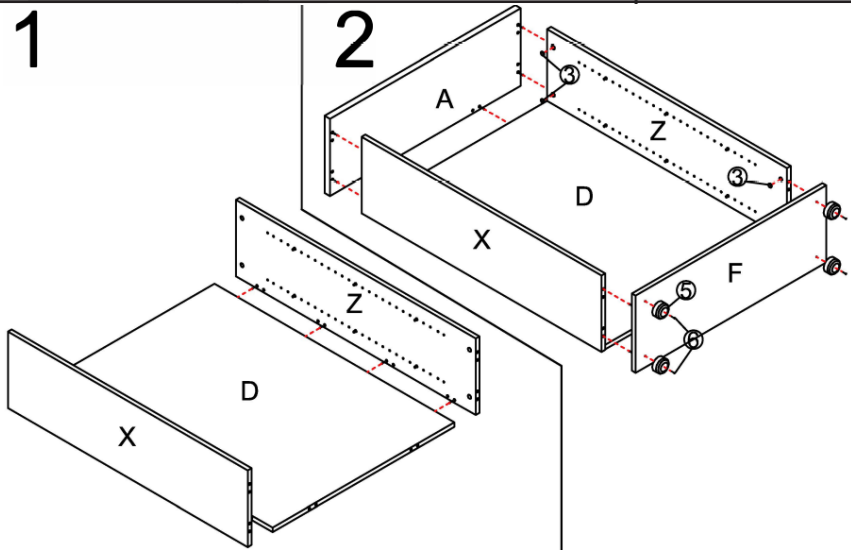
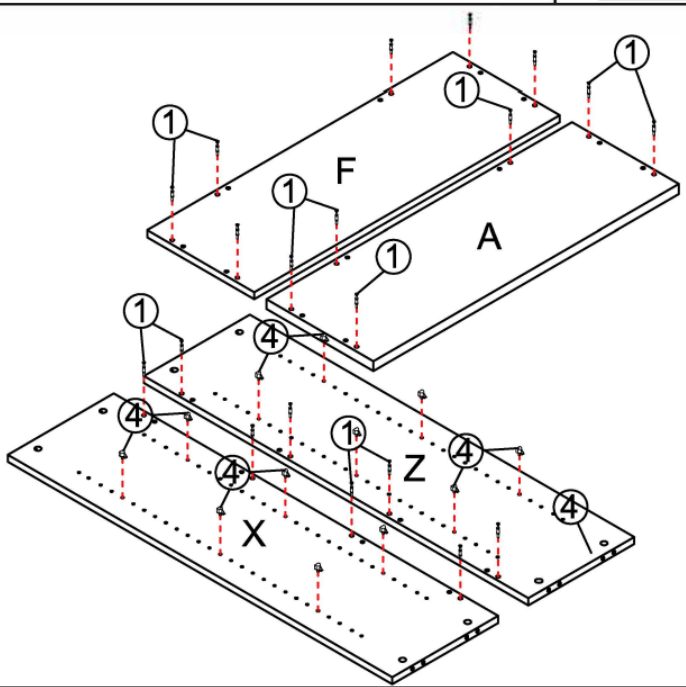
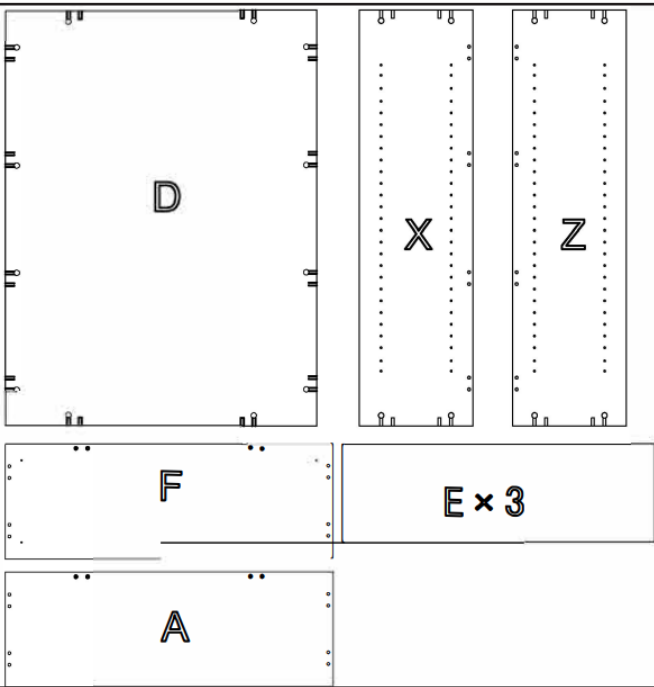
CAM
2
20PCS
- 

Cam Cover
3
20PCS
- 

Bot Minifix
4
12PCS
- 

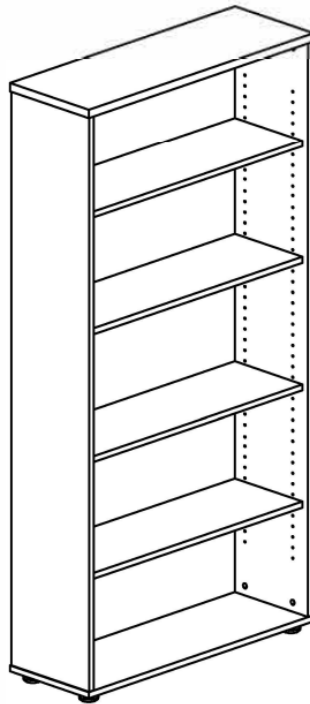
CUSHIOA 25Hx φ52
5
4PCS
- 

Screw 4x30
6
4PCS
- 



ASSEMBLY INSTRUCTIONS

Oasis Open Bookcase
 Product Code: #06141
 1800H x 900W x 315D



pin	6x35	1	20PCS
CAM		2	20PCS
Cam Cover		3	20PCS
Bot Minit		4	16PCS
CUSHION	25Hxφ52	5	4PCS
Screw	4x30	6	4PCS

