

OASIS LOCKABLE WALL UNIT

Specifications:

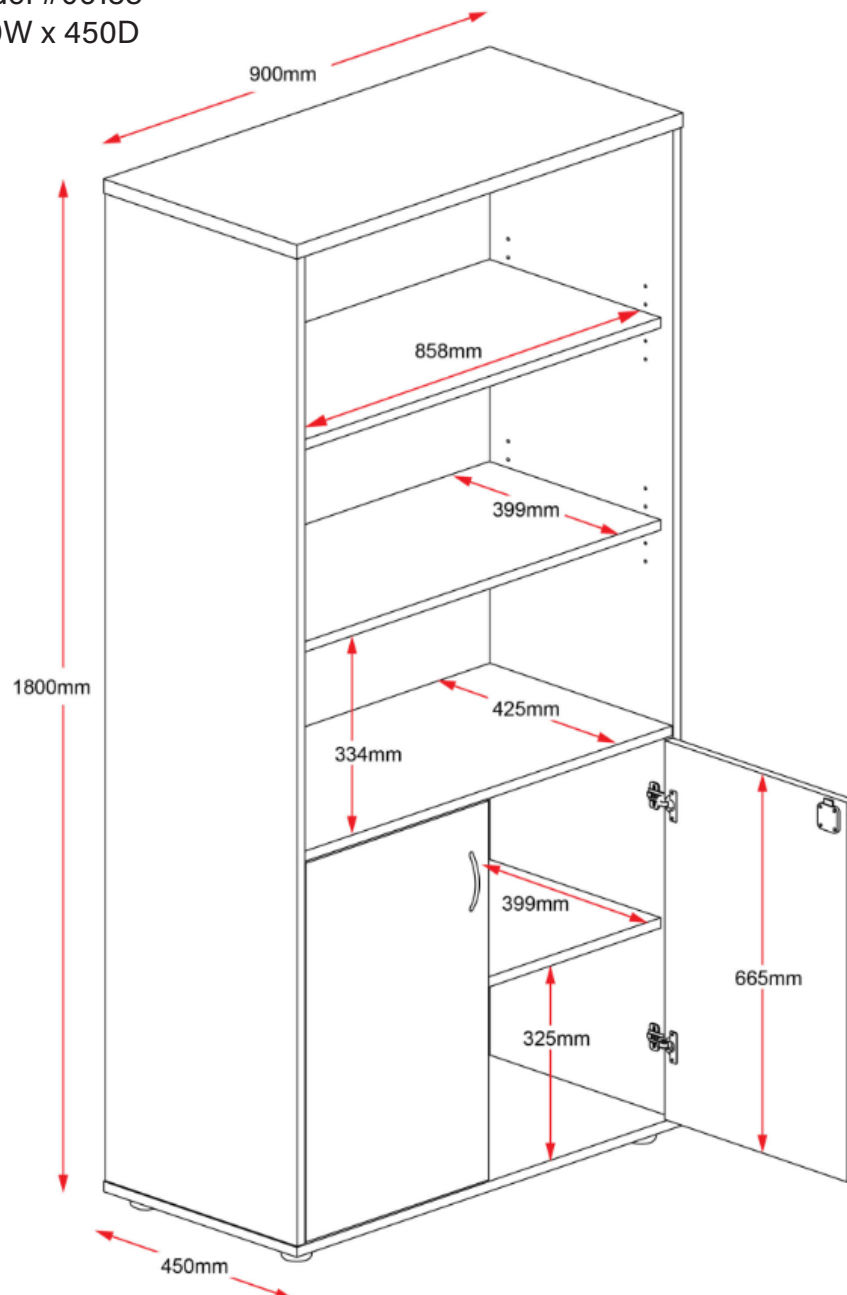
- The Oasis Lockable Wall Unit is constructed of 'E0 Environmentally Friendly Board'.
- Lockable
- Strong and durable and backed by a 5 year warranty.

Boxed Item - *Assembly Required*

5 YEAR
warranty

Product Code: #06138

1800H x 900W x 450D



OASIS LOCKABLE WALL UNIT

Assembly Instructions:

Time Required: 35minutes

Tools Required: Screwdriver, Electric Drill, Pencil, Measuring tape/Ruler

*Tools are not included

Skills required:



The Assembly Skill Rating is a 5-point system that shows the degree of effort needed in assembling a specific product. With 1 being easy for the average person and 5 requiring an expert. For most products, two persons are recommended

PLEASE NOTE

- As this is a commercial product, some intermediate skills may be required.
- Please check you have all hardware before assembling.
- Assemble on a clean, flat, smooth surface such as a rug or carpet to avoid parts from being scratched.
- Remove all wrapping materials, including staples and packing straps before you start to assemble
- Keep all hardware parts out of reach of children.

CAUTION

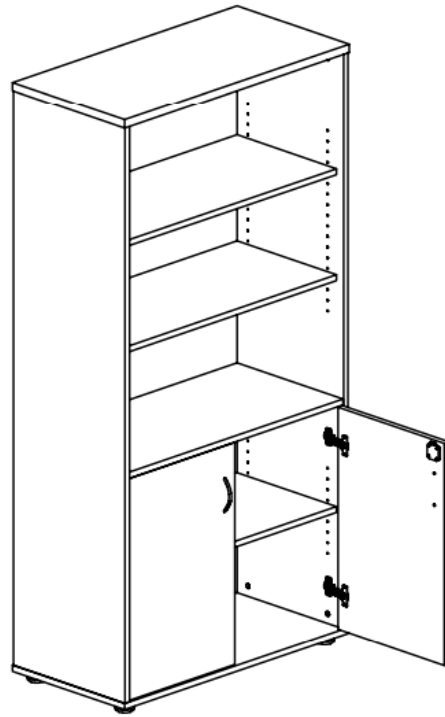
- Heavy product. Do not attempt to lift or move without help
- Do not tighten screws and bolts until completely assembled.
- Do not use this product unless all bolts and screws are firmly secured and tightened.

WARNING

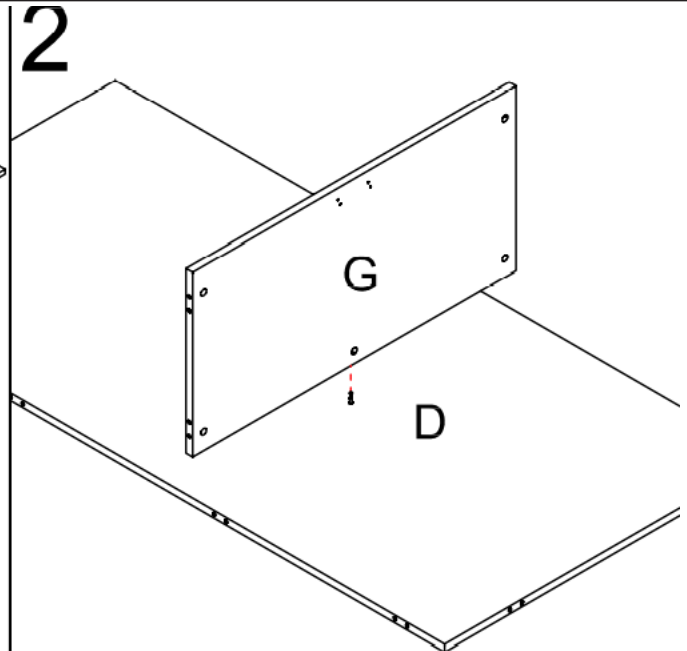
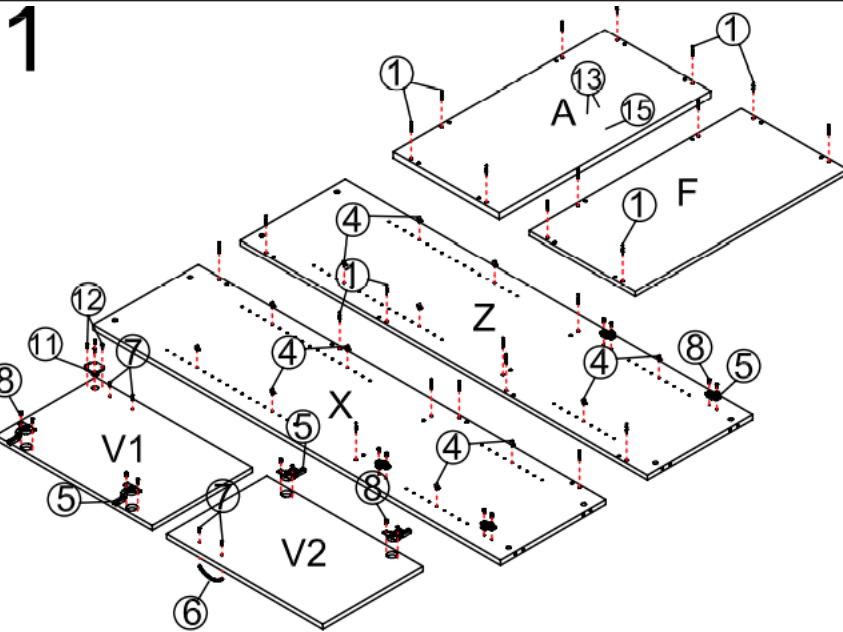
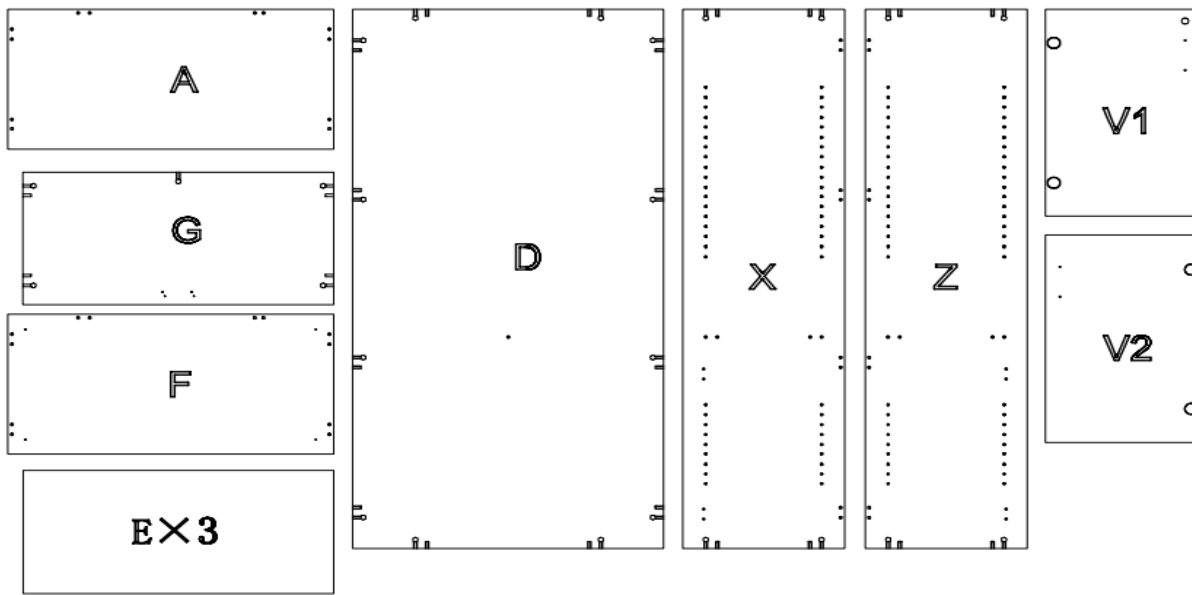
- If parts are missing, broken, damaged or worn stop using the product until all repairs are made.
- Failure to follow these warnings could result in serious Injury

ASSEMBLY INSTRUCTIONS

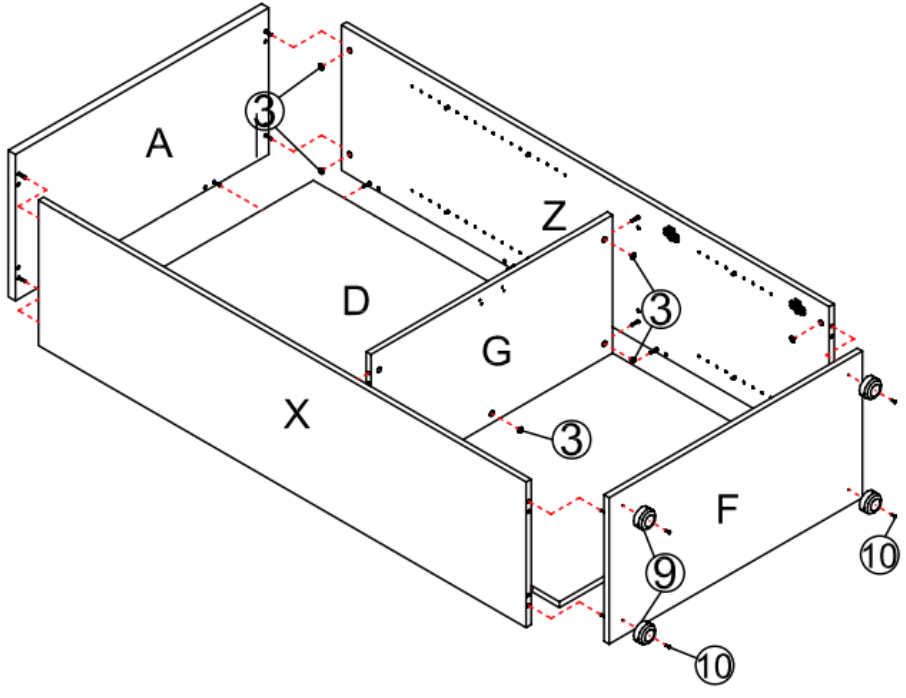
Oasis Lockable Wall Unit
 Product Code: #06138
 1800H x 900W x 450D



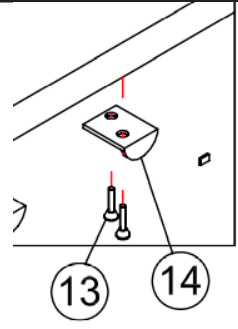
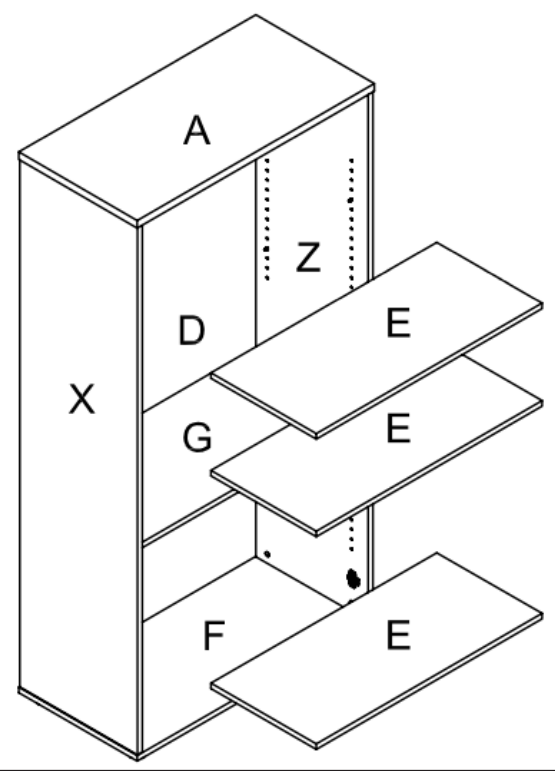
pin 1 25PCS	6x36 CAM 2 25PCS
Cam Cover 3 25PCS	Ball Mount 4 12PCS
Hinge Mount Plate 5 4PCS	T-Handle 6 2PCS
Screw 7 4PCS	Screw 8 16PCS
CUSHION 9 4PCS	Screw 10 4PCS
LOCK 11 1PCS	Screw 12 4PCS
Screw 13 4PCS	LOCK CATCH 14 2PCS



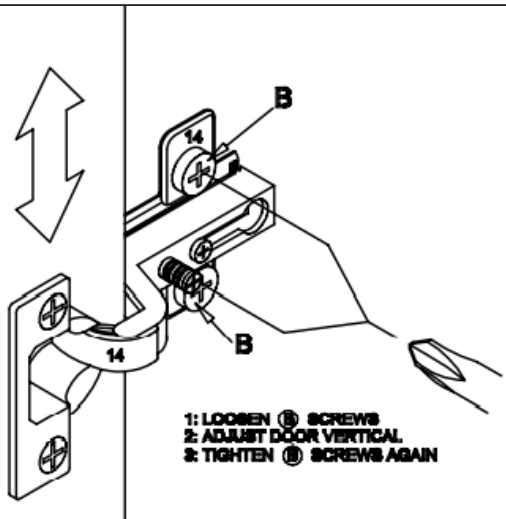
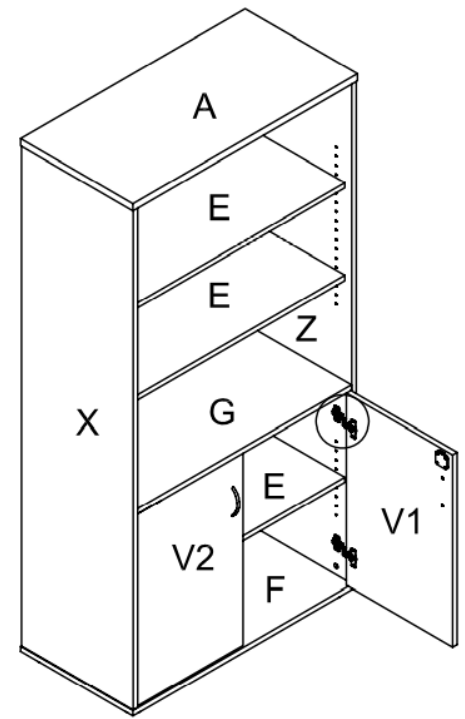
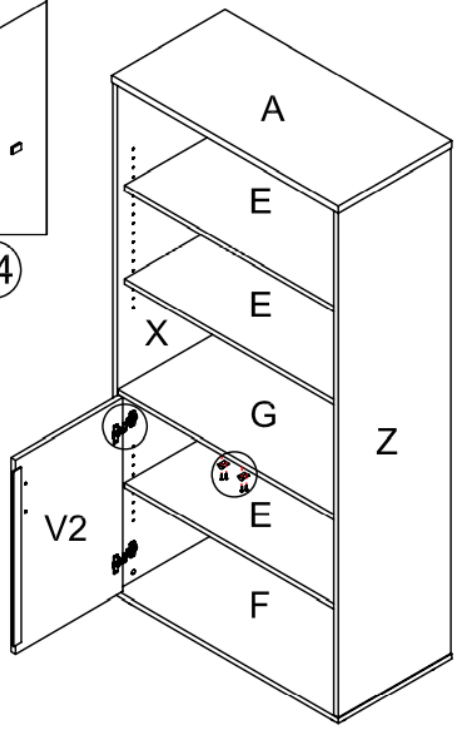
3



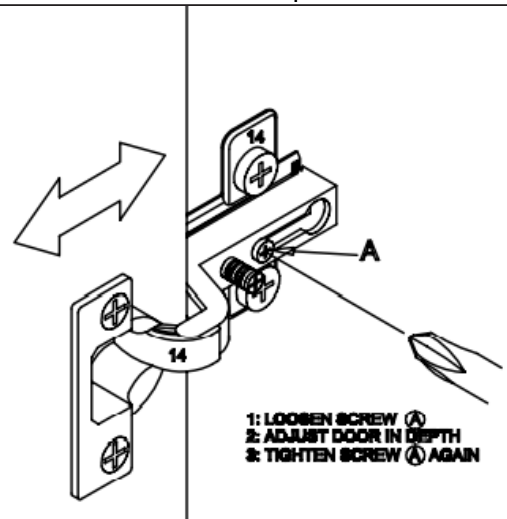
4



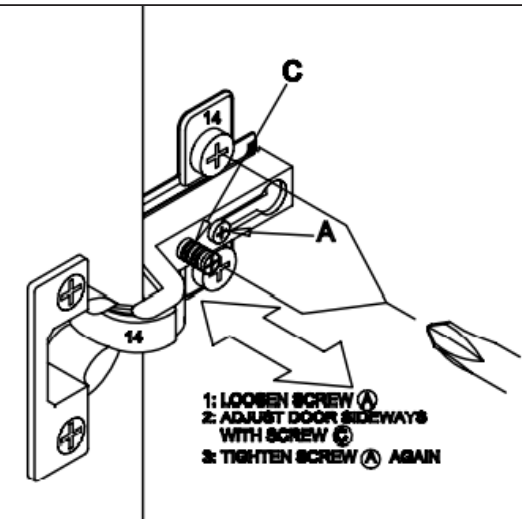
5 6



1: LOOSEN SCREW (B)
 2: ADJUST DOOR VERTICAL
 3: TIGHTEN SCREW (B) AGAIN



1: LOOSEN SCREW (A)
 2: ADJUST DOOR IN DEPTH
 3: TIGHTEN SCREW (A) AGAIN



1: LOOSEN SCREW (C)
 2: ADJUST DOOR SIDEWAYS WITH SCREW (C)
 3: TIGHTEN SCREW (C) AGAIN