

OASIS LOCKABLE CUPBOARD

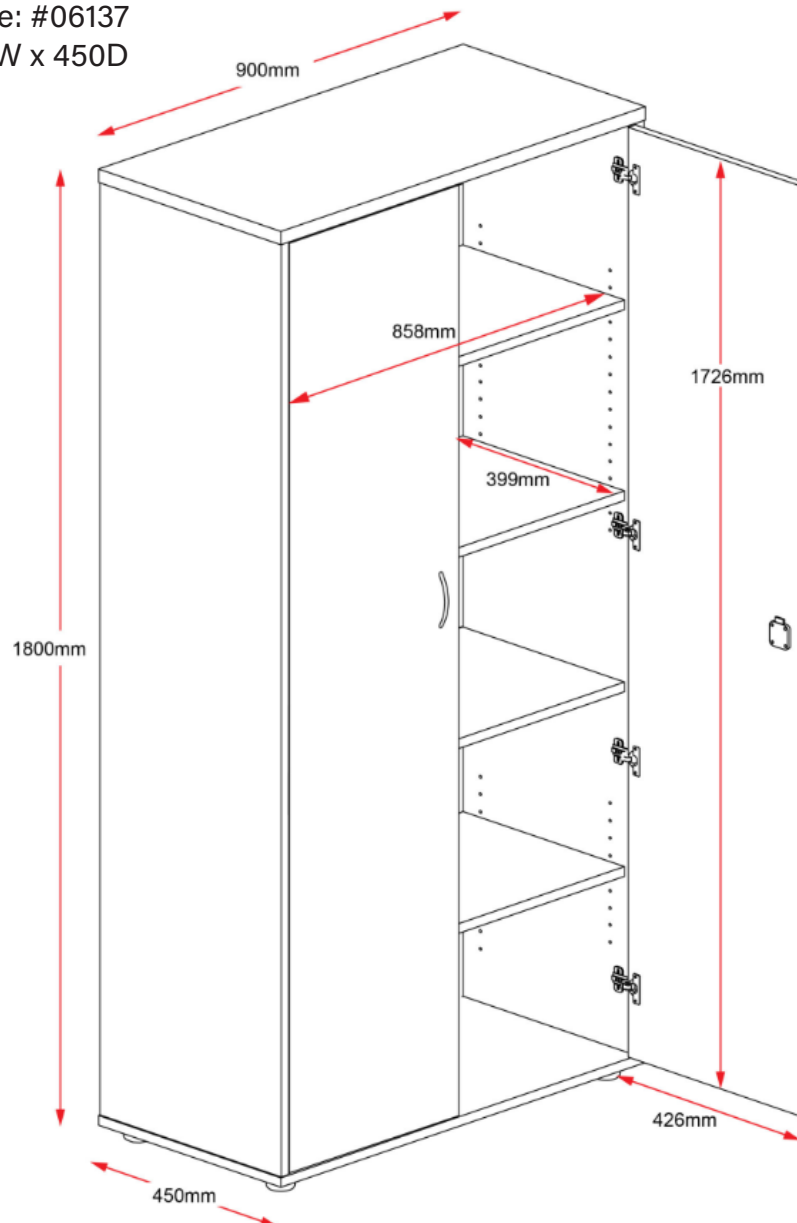
Specifications:

- The Oasis Lockable Cupboard is constructed of 'E0 Environmentally Friendly Board'.
- Lockable
- Soft Close Hinges
- Strong and durable and backed by a 5 year warranty.
- 1 Fixed Shelf & 3 Adjustable Shelves
- Extra shelves available \$POA

5 YEAR
warranty

Boxed Item - *Assembly Required*

Product Code: #06137
1800H x 900W x 450D



OASIS LOCKABLE CUPBOARD

Assembly Instructions:

Time Required: 35minutes

Tools Required: Screwdriver, Electric Drill, Pencil, Measuring tape/Ruler

*Tools are not included

Skills required:



The Assembly Skill Rating is a 5-point system that shows the degree of effort needed in assembling a specific product. With 1 being easy for the average person and 5 requiring an expert. For most products, two persons are recommended

PLEASE NOTE

- As this is a commercial product, some intermediate skills may be required.
- Please check you have all hardware before assembling.
- Assemble on a clean, flat, smooth surface such as a rug or carpet to avoid parts from being scratched.
- Remove all wrapping materials, including staples and packing straps before you start to assemble
- Keep all hardware parts out of reach of children.

CAUTION

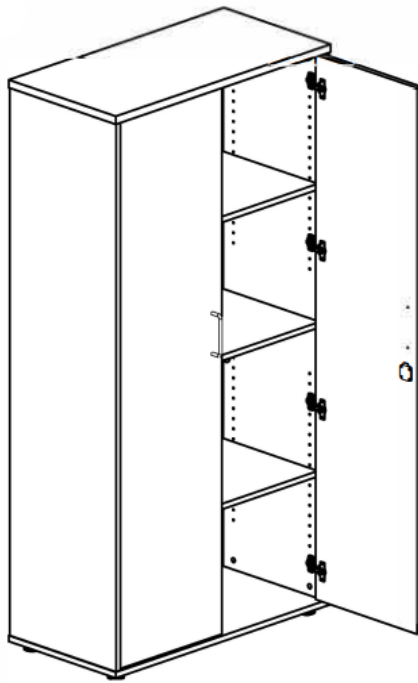
- Heavy product. Do not attempt to lift or move without help
- Do not tighten screws and bolts until completely assembled.
- Do not use this product unless all bolts and screws are firmly secured and tightened.

WARNING

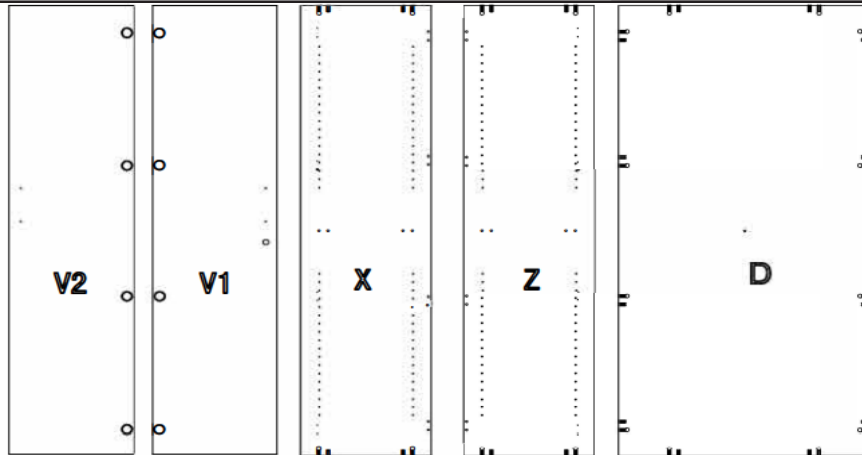
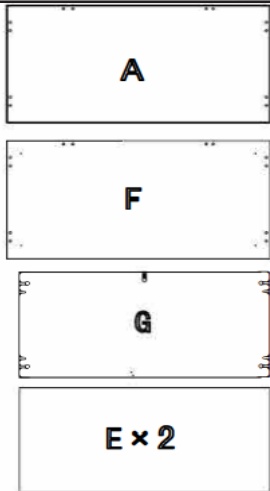
- If parts are missing, broken, damaged or worn stop using the product until all repairs are made.
- Failure to follow these warnings could result in serious Injury

ASSEMBLY INSTRUCTIONS

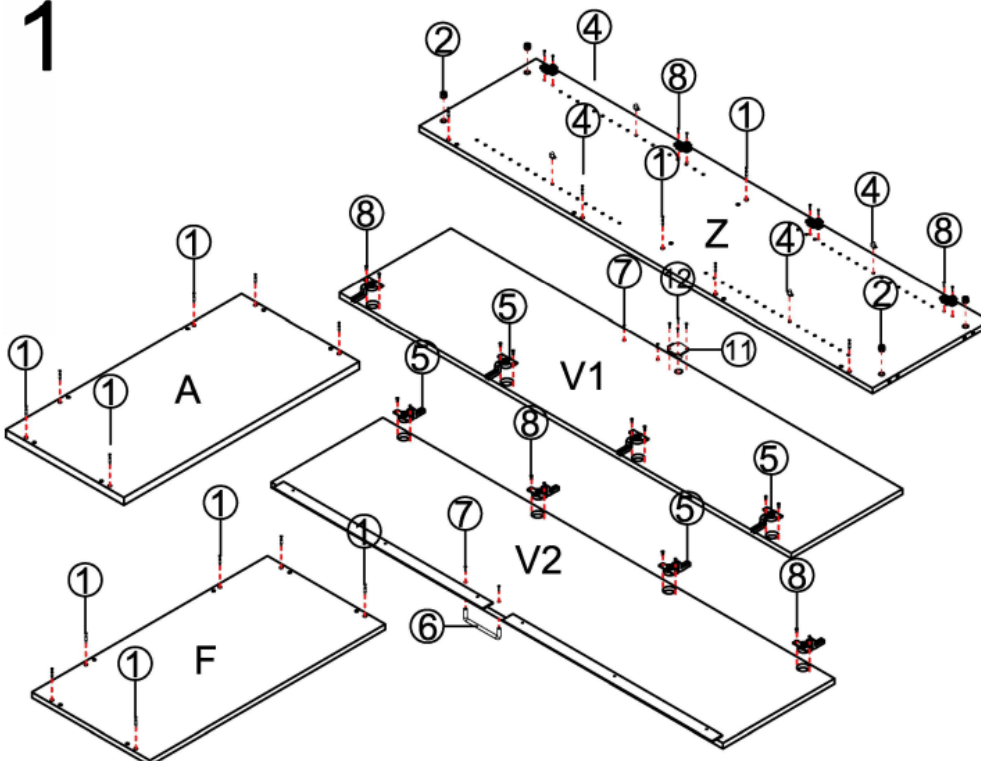
Oasis Lockable Cupboard
 Product Code: #06137
 1800H x 900W x 450D



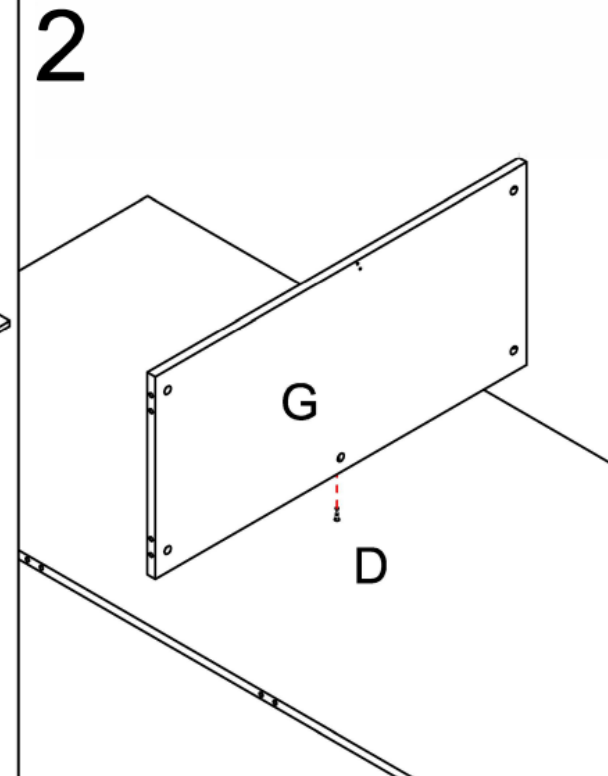
pin 1 25PCS	6x35 CAM 2 25PCS
Cam Cover 3 25PCS	Bolt Minifix 4 8PCS
Hinge&Mount Plate 5 8PCS	T-Handle 6 2PCS
Screw 7 4PCS	Screw 8 32PCS
Screw 9 4PCS	CUSHIOA 10 4PCS
LOCK 11 1PCS	Screw 12 4PCS
Screw 13 2PCS	

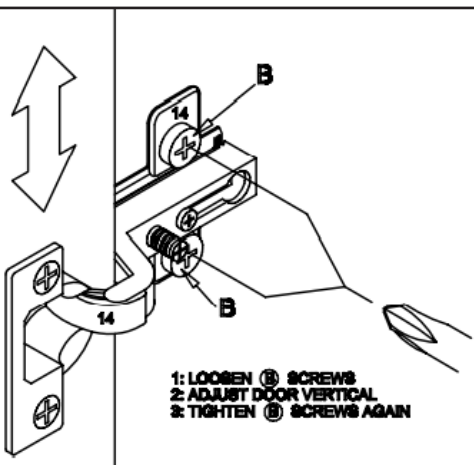
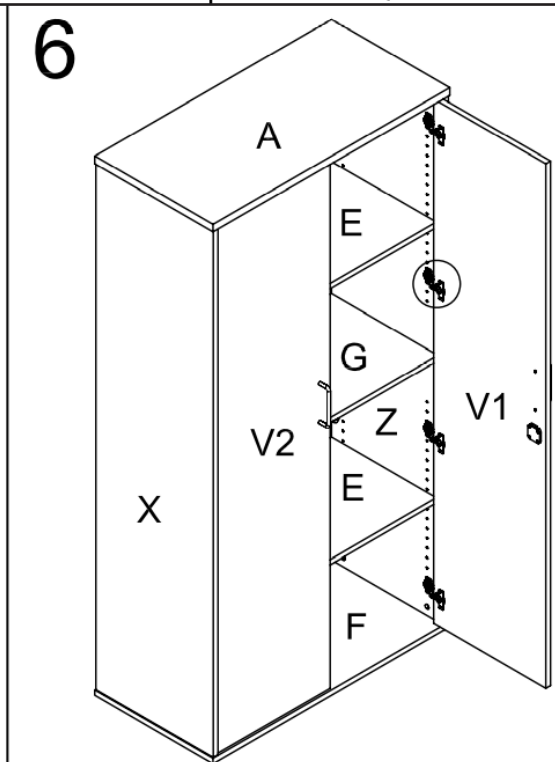
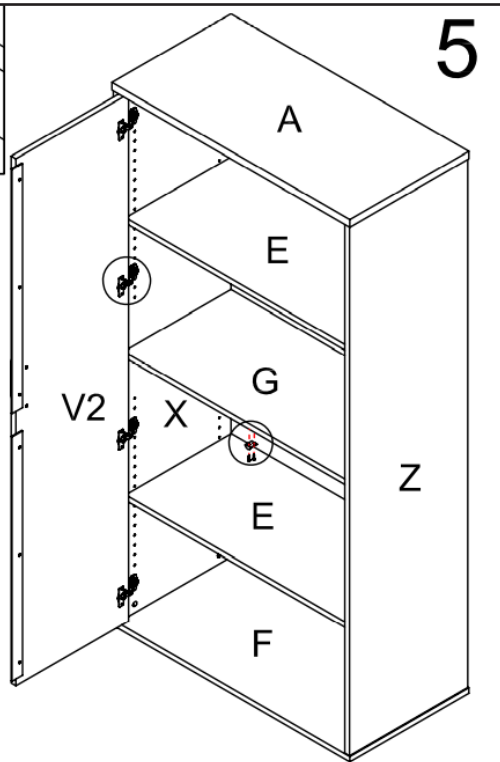
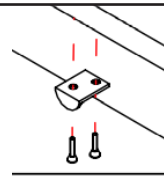
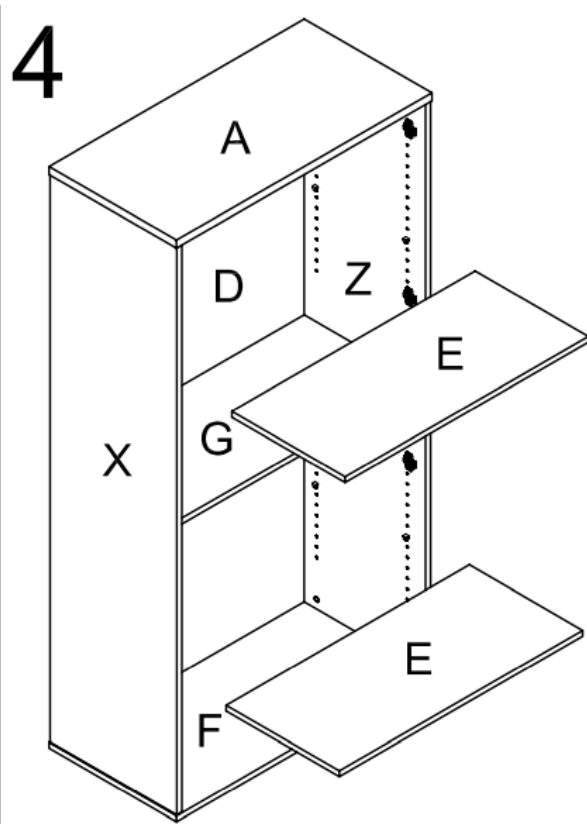
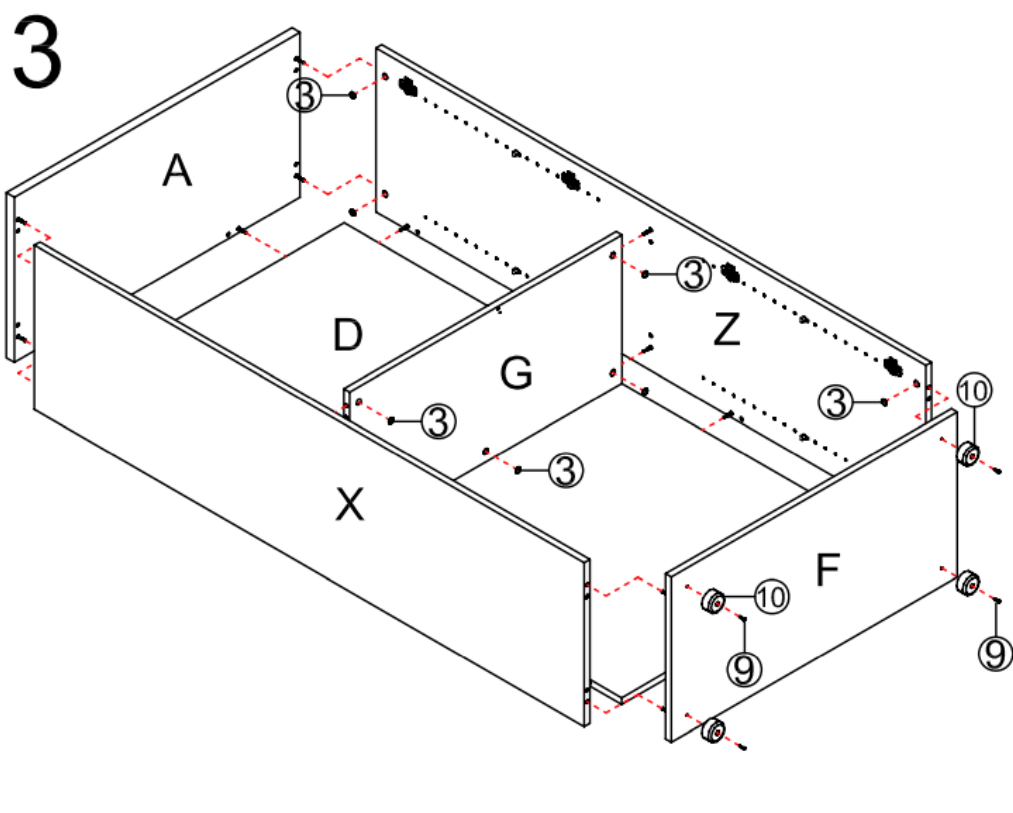


1

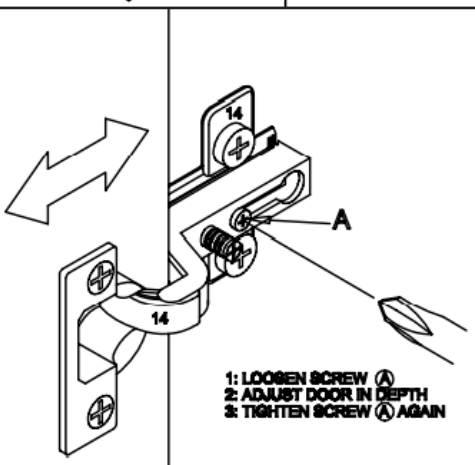


2

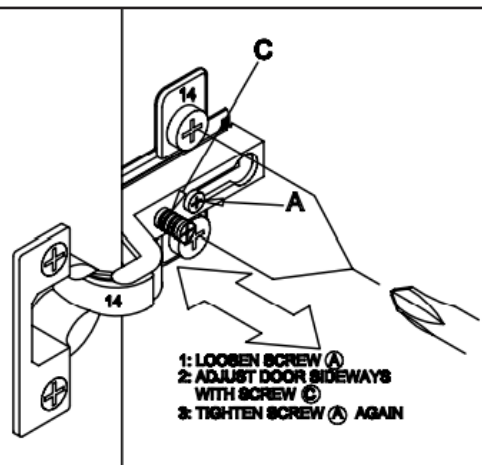




1: LOOSEN ③ SCREWS
2: ADJUST DOOR VERTICAL
3: TIGHTEN ③ SCREWS AGAIN



1: LOOSEN SCREW ①
2: ADJUST DOOR IN DEPTH
3: TIGHTEN SCREW ① AGAIN



1: LOOSEN SCREW ①
2: ADJUST DOOR SIDWAYS WITH SCREW ②
3: TIGHTEN SCREW ① AGAIN