

OASIS LOCKABLE CREDENZA

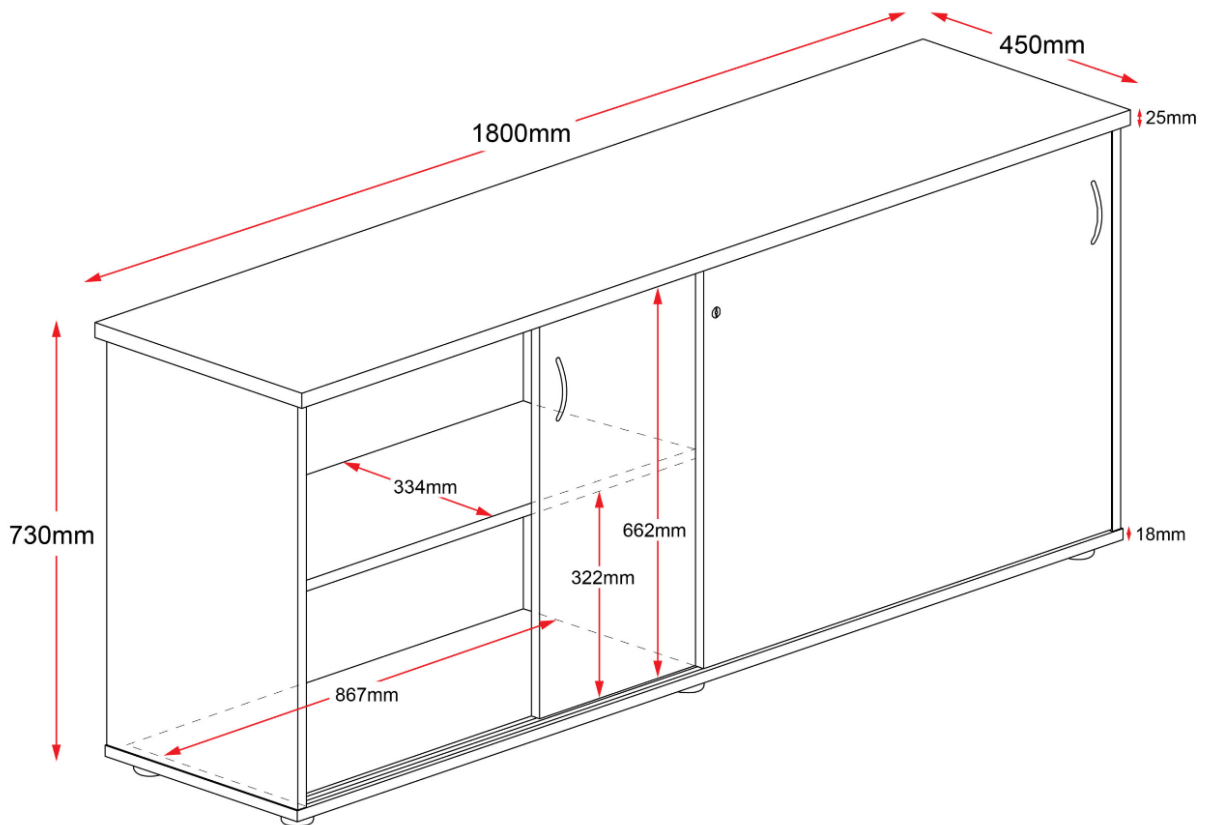
Specifications:

- The Oasis Credenza is constructed of 'E0 Environmentally Friendly Board'.
- 25mm Tops, 18mm Sides
- Strong and durable and backed by a 5 year warranty.
- Lockable
- Sliding doors and an internal shelf
- Available in 3 sizes

5 YEAR
warranty

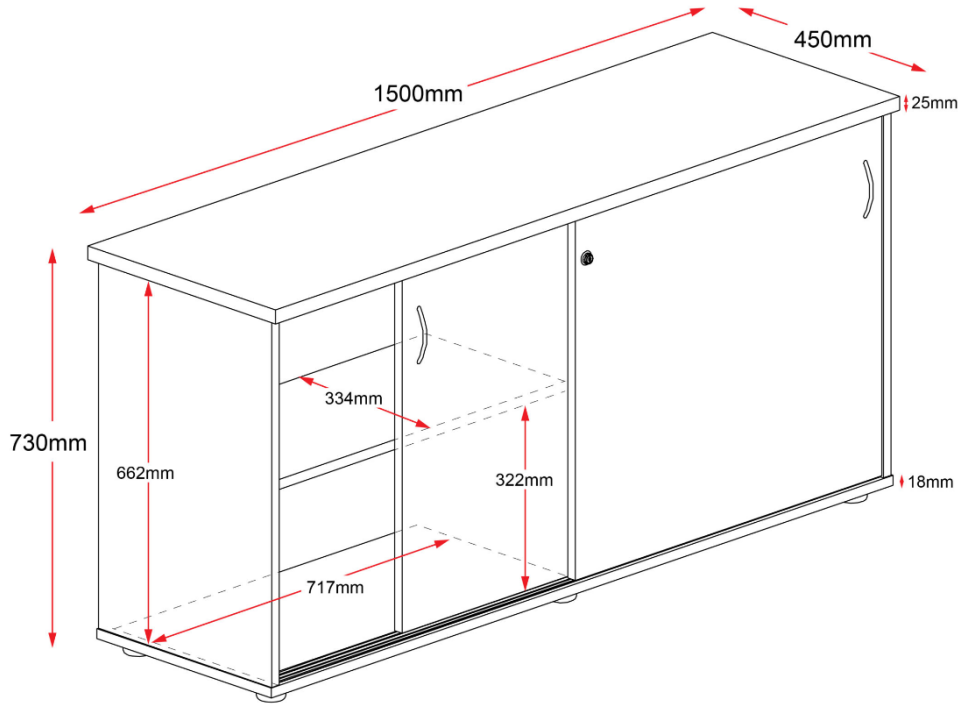
Boxed Item - Assembly Required

Product Code: #06136
1800W x 450D x 730H

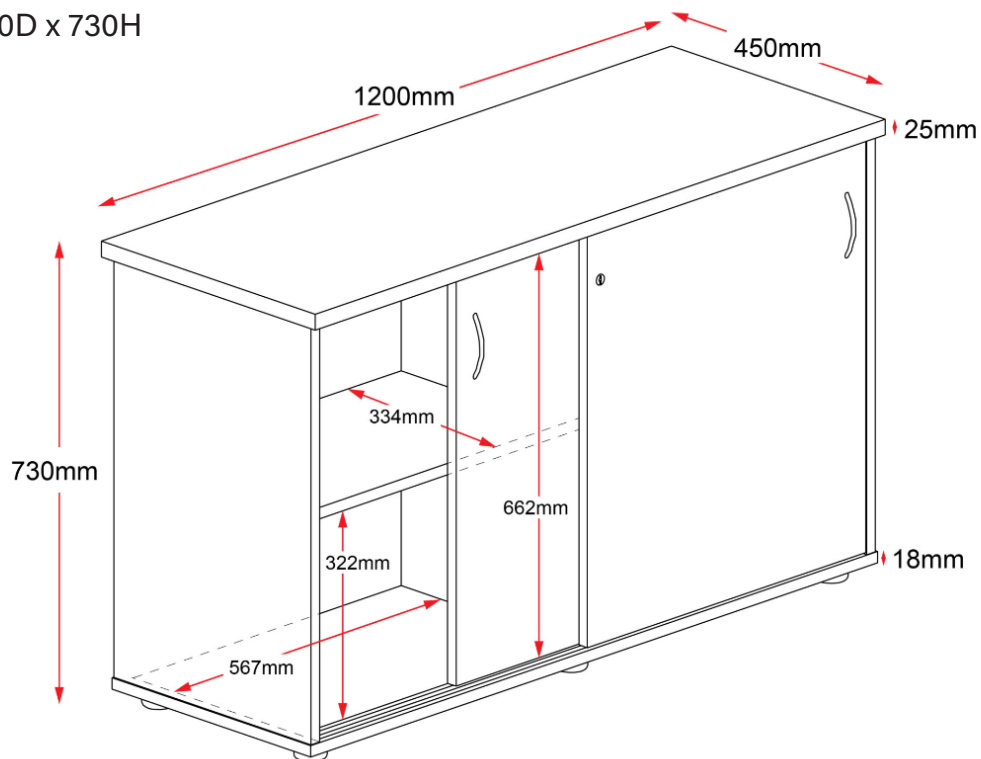


OASIS LOCKABLE CREDENZA

Product Code: #06135
1500W x 450D x 730H



Product Code: #06134
1200W x 450D x 730H



OASIS LOCKABLE CREDENZA

Assembly Instructions:

Time Required: 35minutes

Tools Required: Screwdriver, Electric Drill, Pencil, Measuring tape/Ruler

*Tools are not included

Skills required:



The Assembly Skill Rating is a 5-point system that shows the degree of effort needed in assembling a specific product. With 1 being easy for the average person and 5 requiring an expert. For most products, two persons are recommended

PLEASE NOTE

- As this is a commercial product, some intermediate skills may be required.
- Please check you have all hardware before assembling.
- Assemble on a clean, flat, smooth surface such as a rug or carpet to avoid parts from being scratched.
- Remove all wrapping materials, including staples and packing straps before you start to assemble
- Keep all hardware parts out of reach of children.

CAUTION

- Heavy product. Do not attempt to lift or move without help
- Do not tighten screws and bolts until completely assembled.
- Do not use this product unless all bolts and screws are firmly secured and tightened.

WARNING

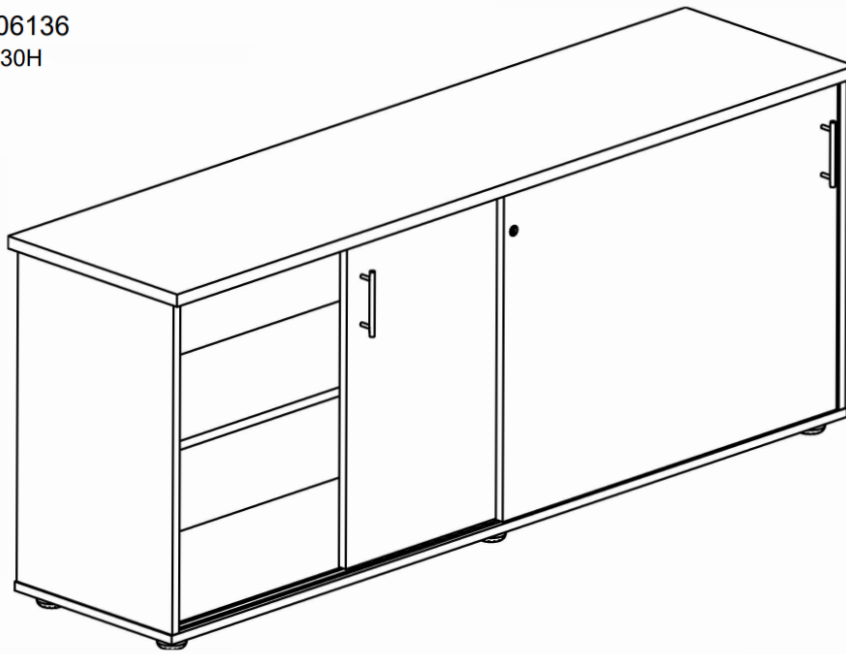
- If parts are missing, broken, damaged or worn stop using the product until all repairs are made.
- Failure to follow these warnings could result in serious Injury

ASSEMBLY INSTRUCTIONS

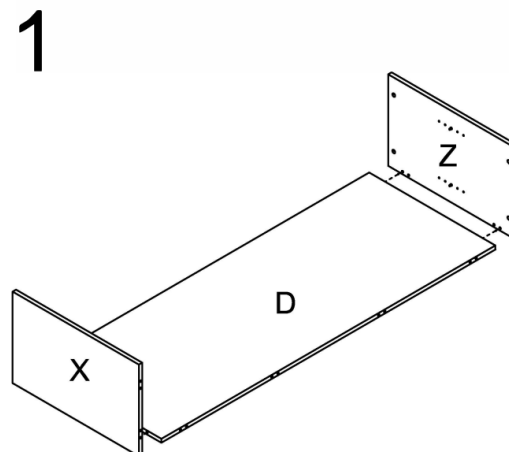
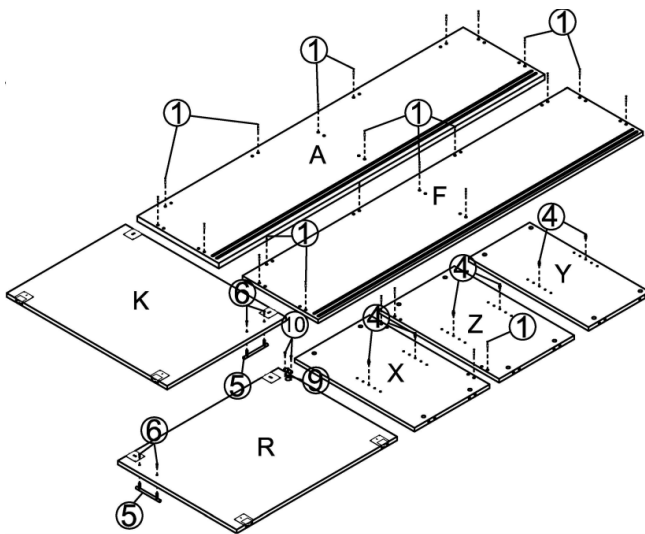
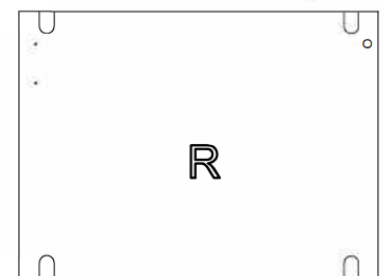
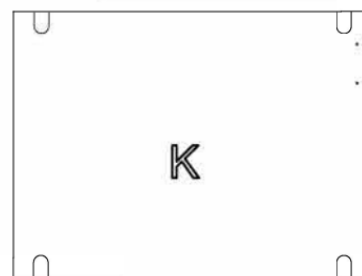
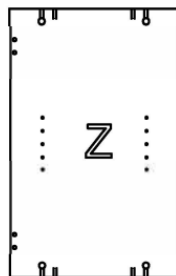
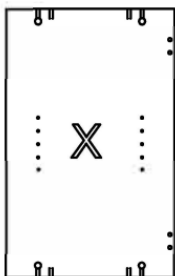
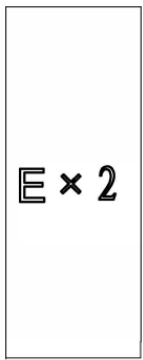
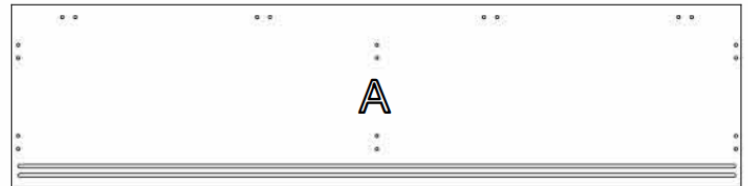
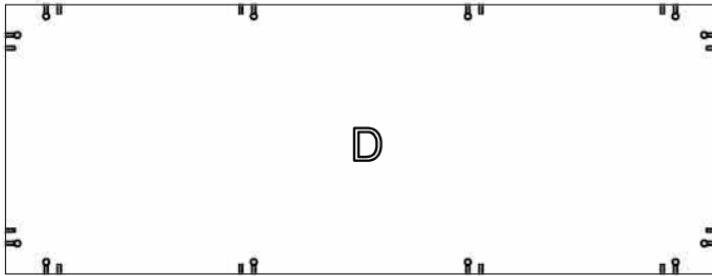
Oasis Lockable Credenza

Product Code: #06136

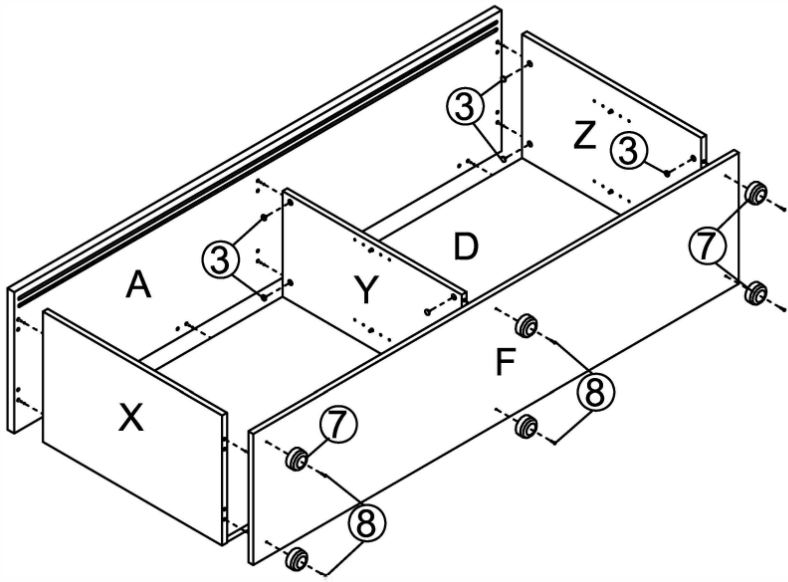
1800W x 450D x 730H



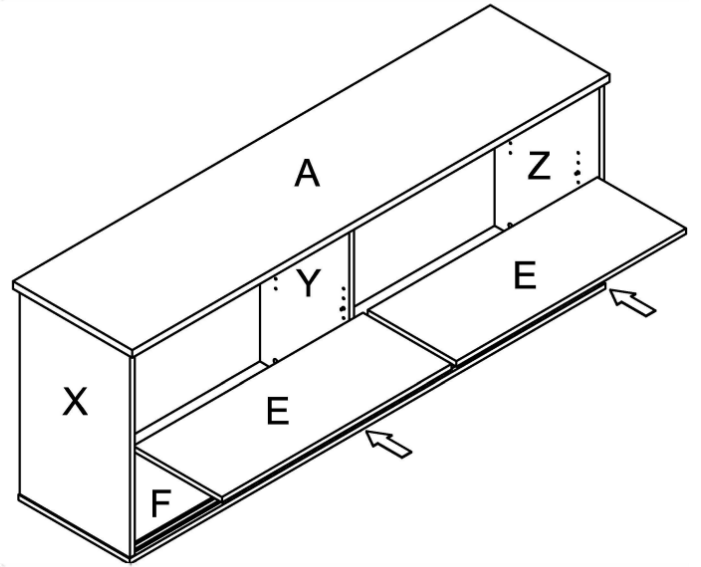
pin 1 24PCS	6x35	CAM 2 24PCS
Cam Cover 3 24PCS		Roll Moller 18H1A ± 0.2 4 8PCS
T-Handle 5 2PCS		Screw 4x22 6 4PCS
CUSHION 28H1A ± 0.2 7 6PCS		Screw 4x30 8 6PCS
LOCK 9 1PCS		Screw 3.5x18 10 2PCS



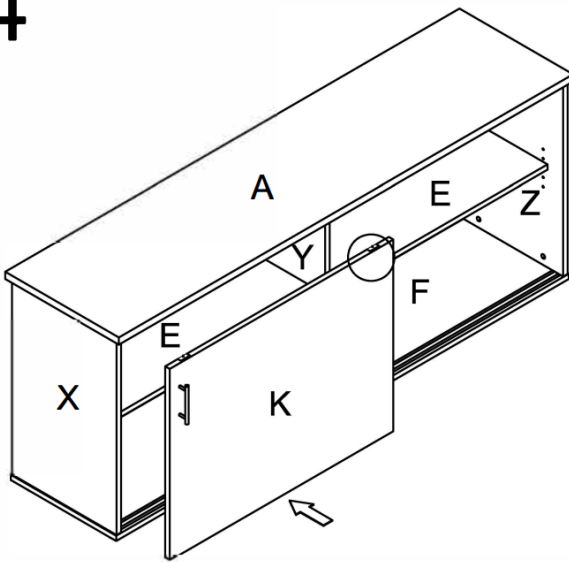
2



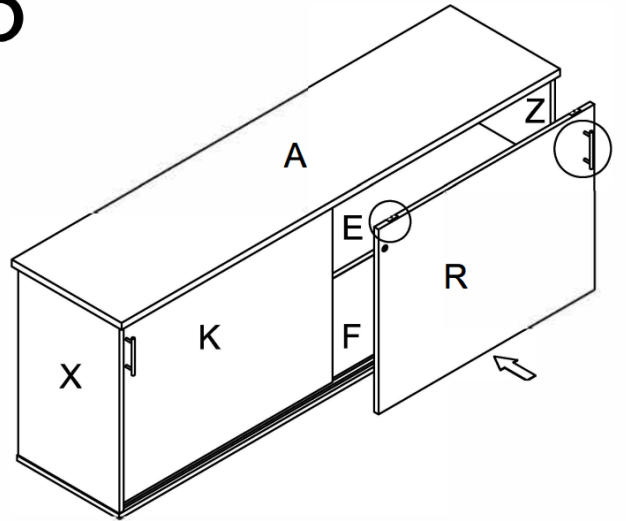
3



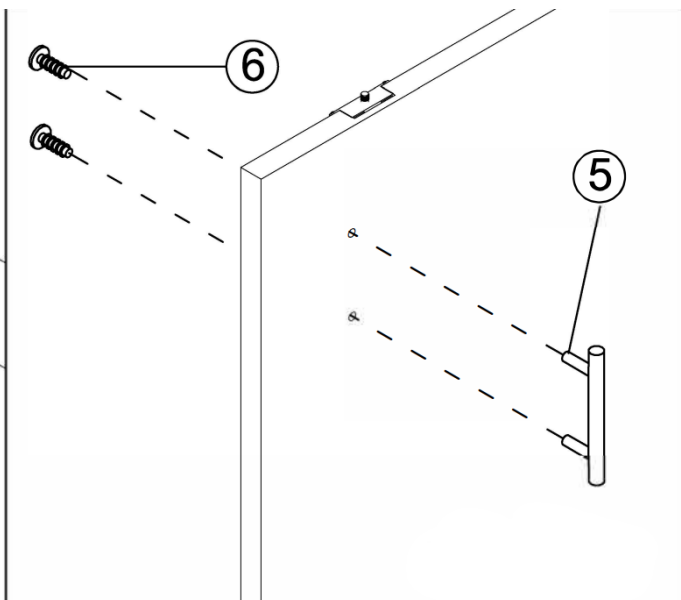
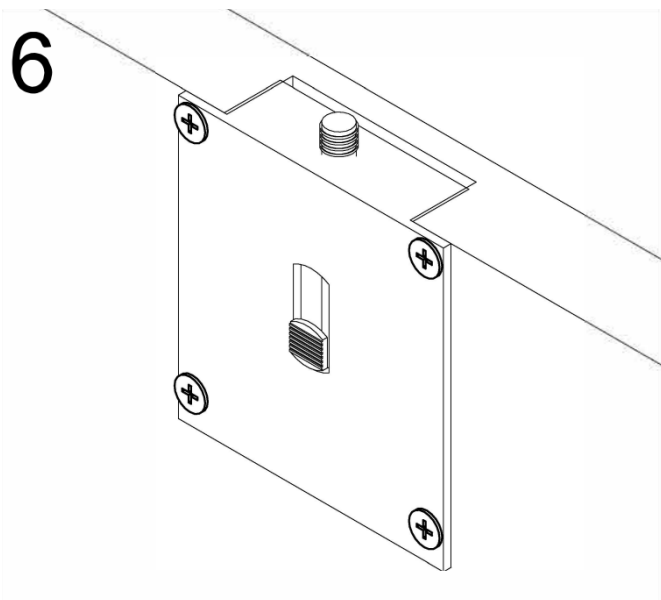
4



5

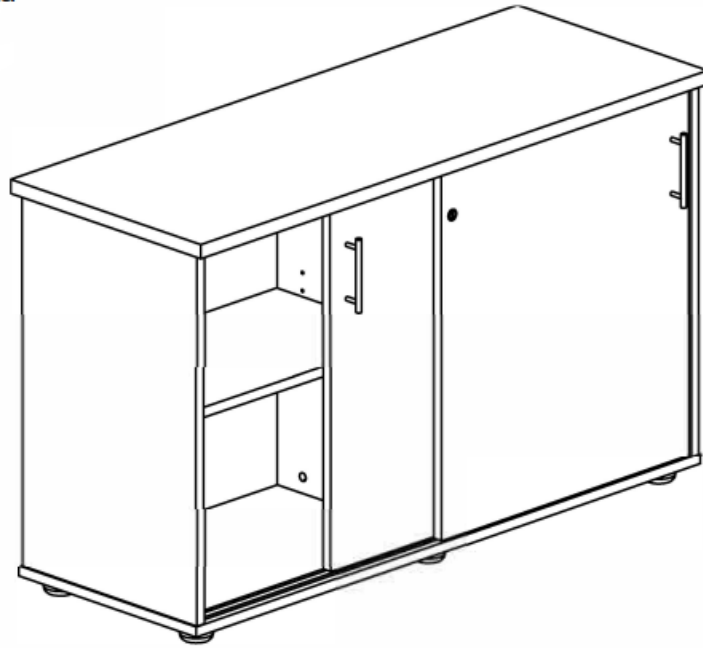


6

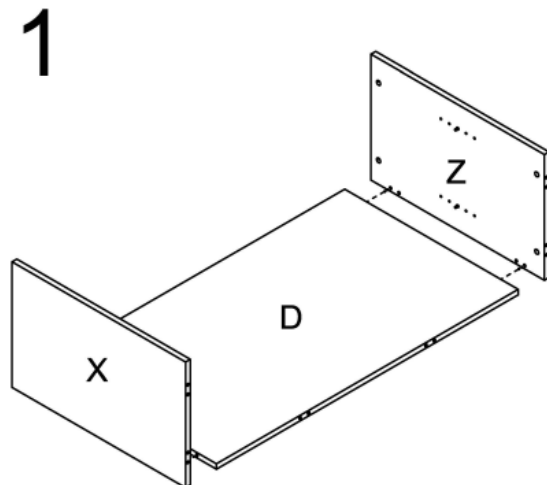
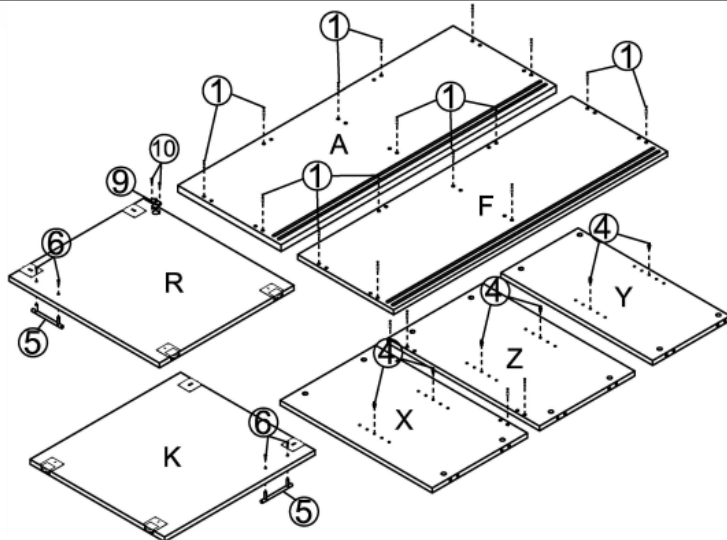
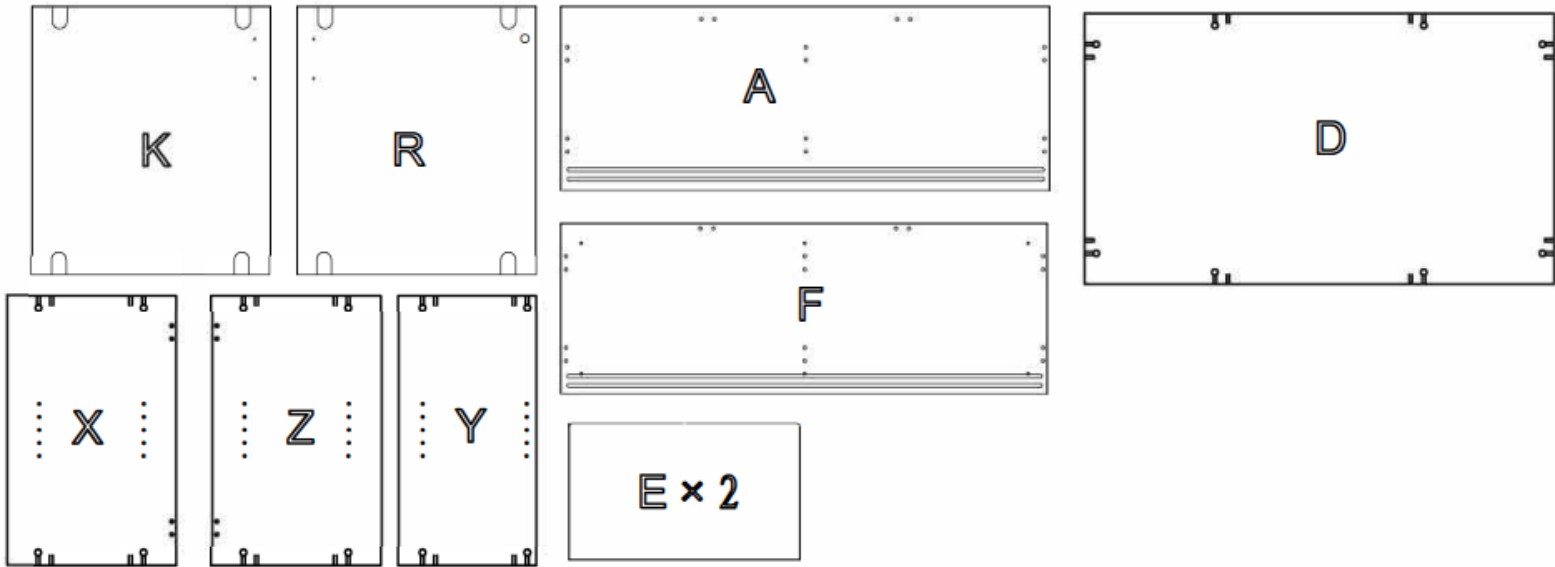


ASSEMBLY INSTRUCTIONS

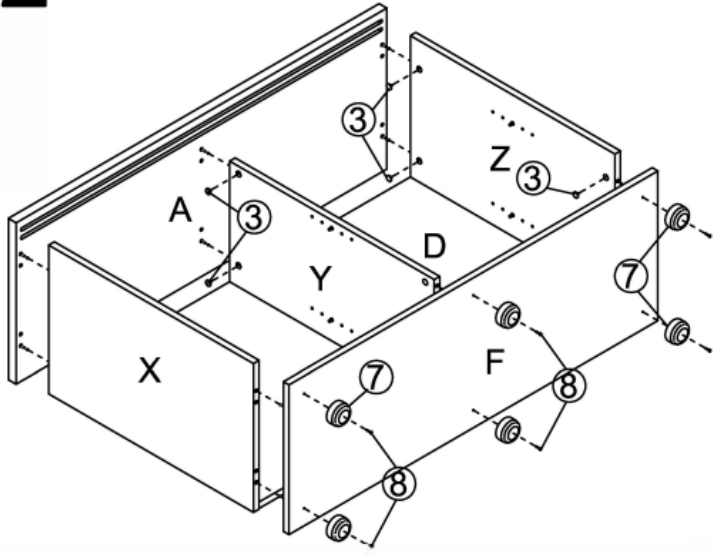
Oasis Lockable Credenza
 Product Code #06135
 1500W x 450D x 730H



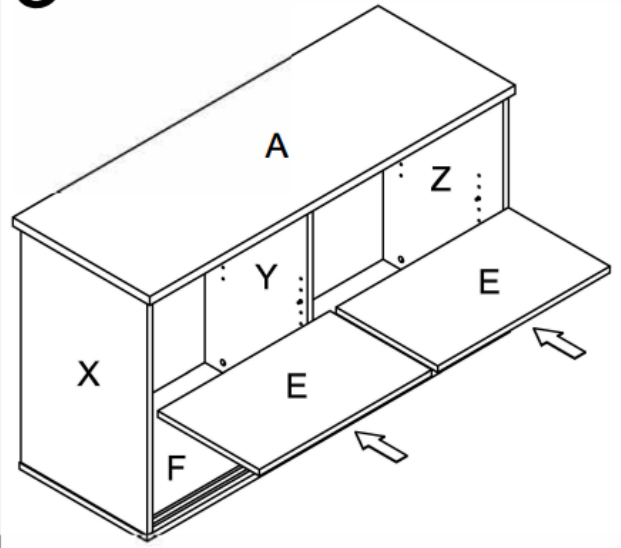
pin 6x35 1 20PCS	CAM 2 20PCS
Cam Cover 3 20PCS	Bolt M8x16 4 8PCS
T-Handle 5 2PCS	Screw 4x22 6 4PCS
CUSHION 28x4x62 7 6PCS	Screw 4x30 8 6PCS
LOCK 9 1PCS	Screw 3.5x13 10 2PCS



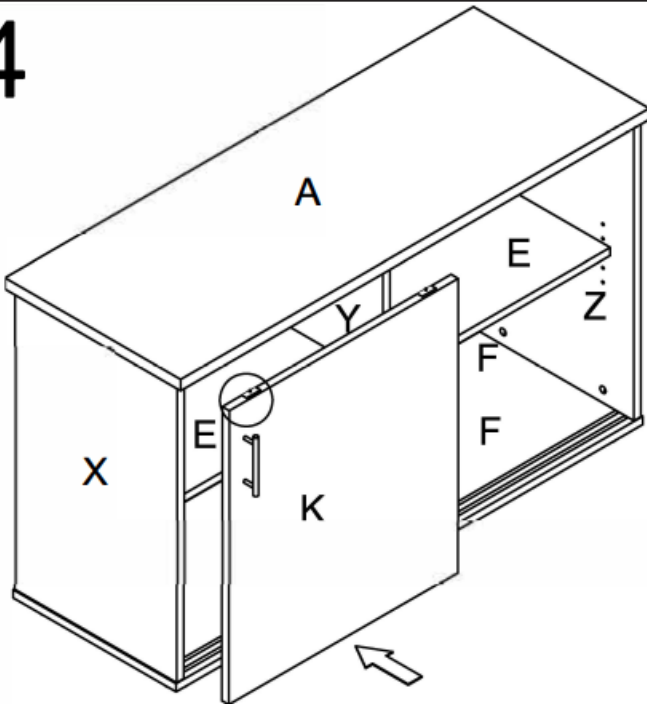
2



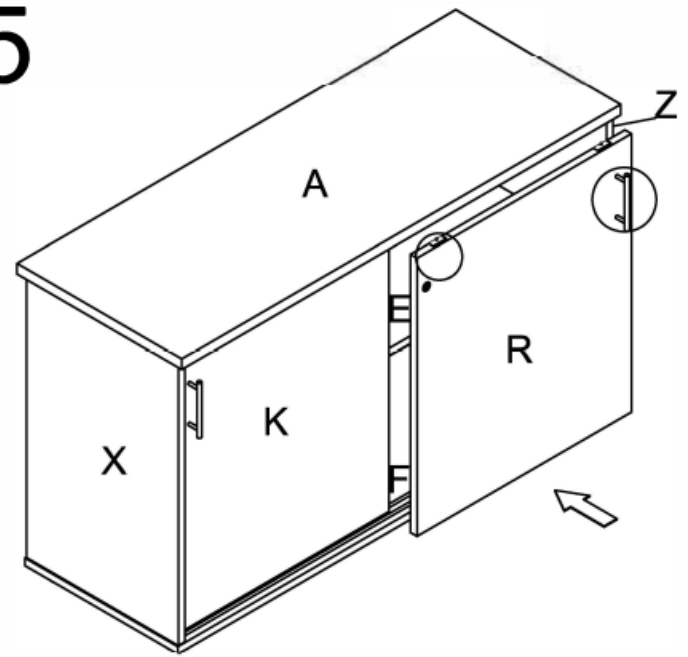
3



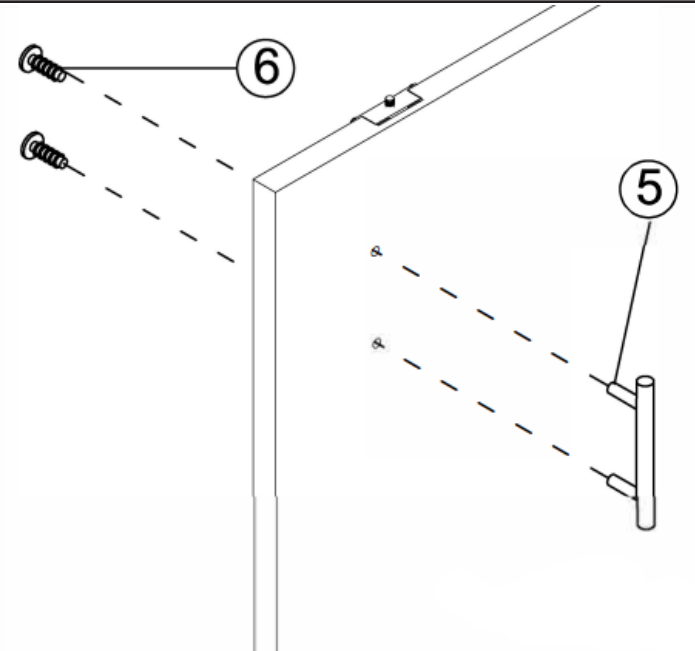
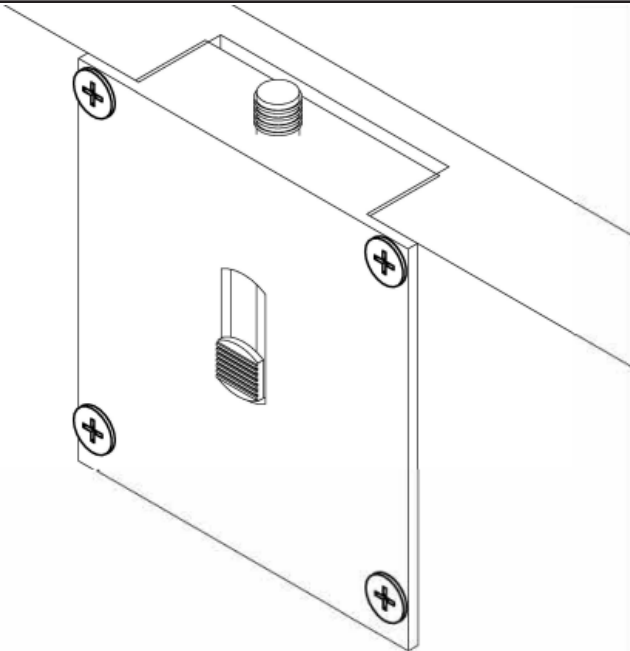
4



5

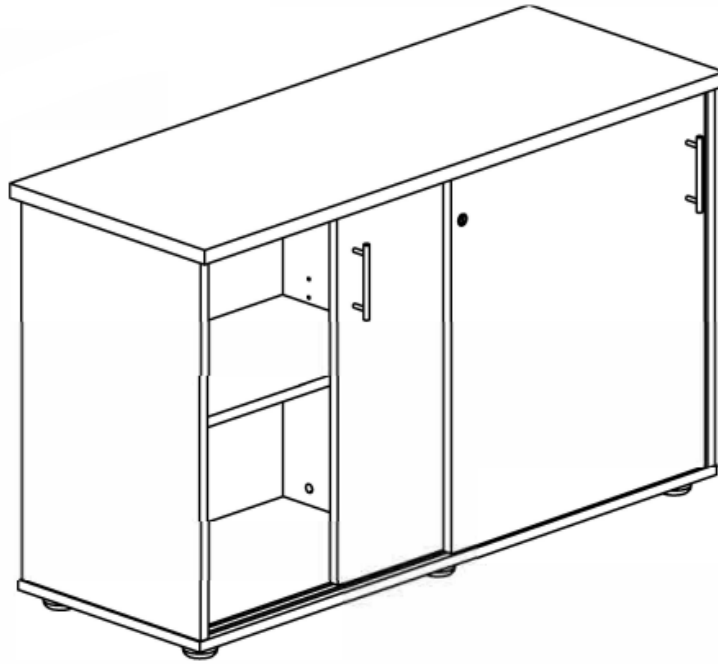


6

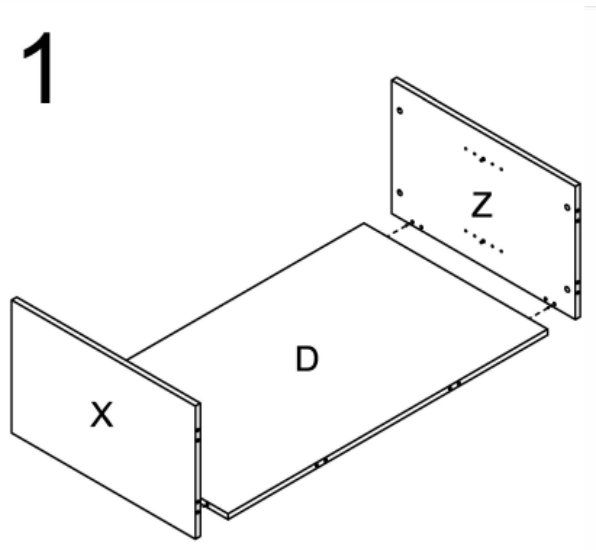
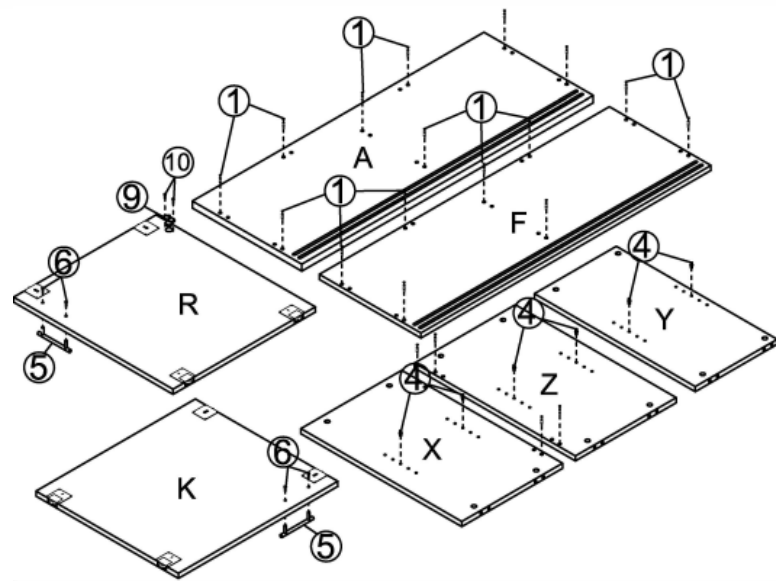
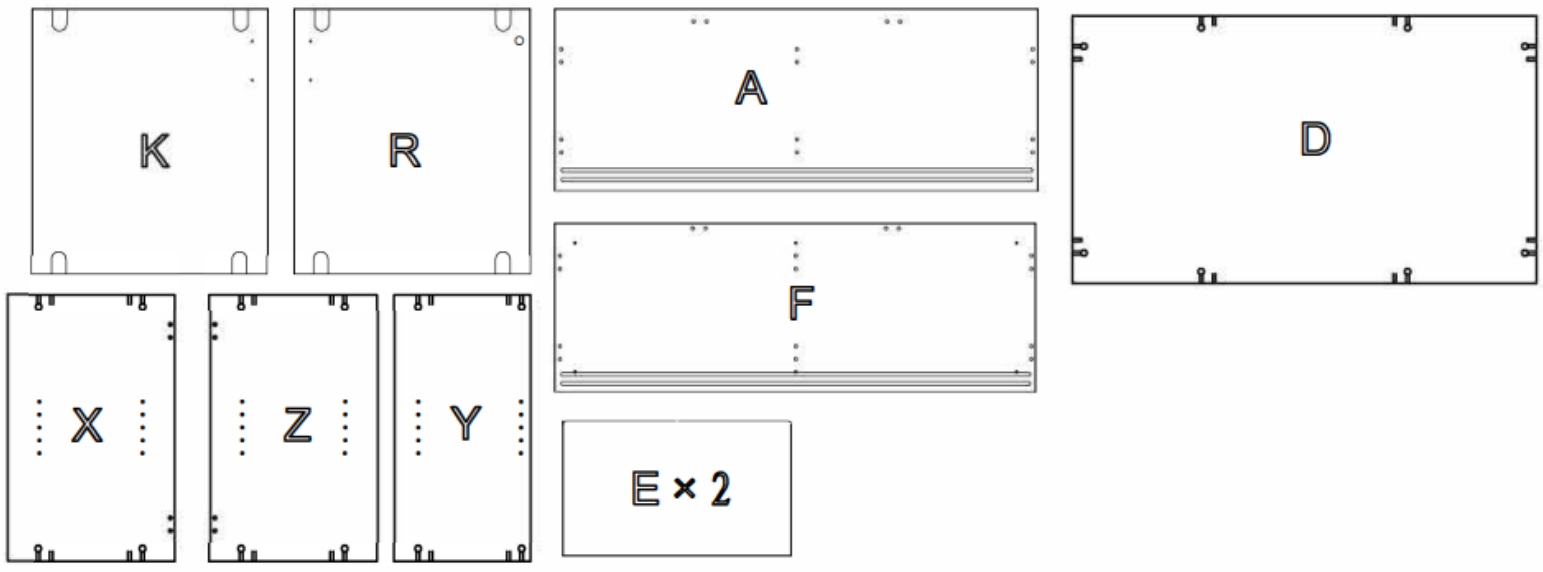


ASSEMBLY INSTRUCTIONS

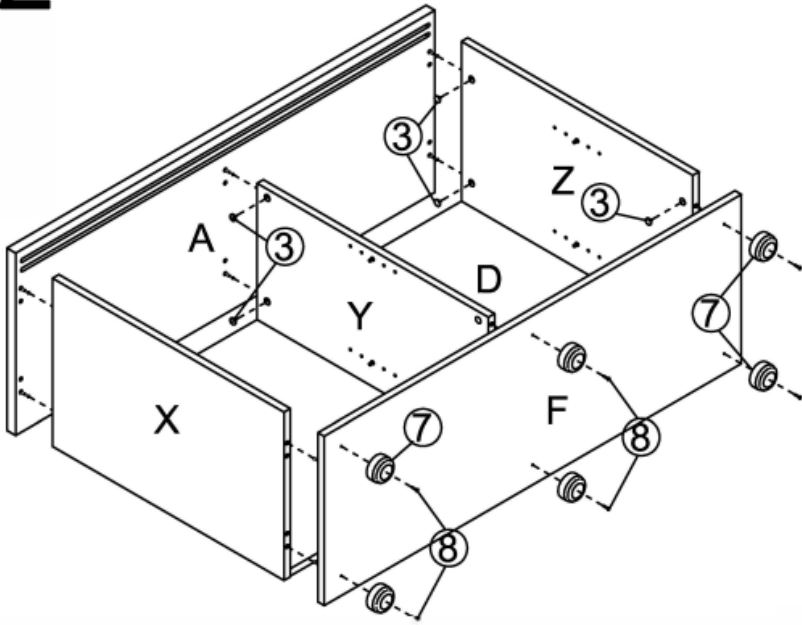
Oasis Lockable Credenza
 Product Code #06134
 1200W x 450D x 730H



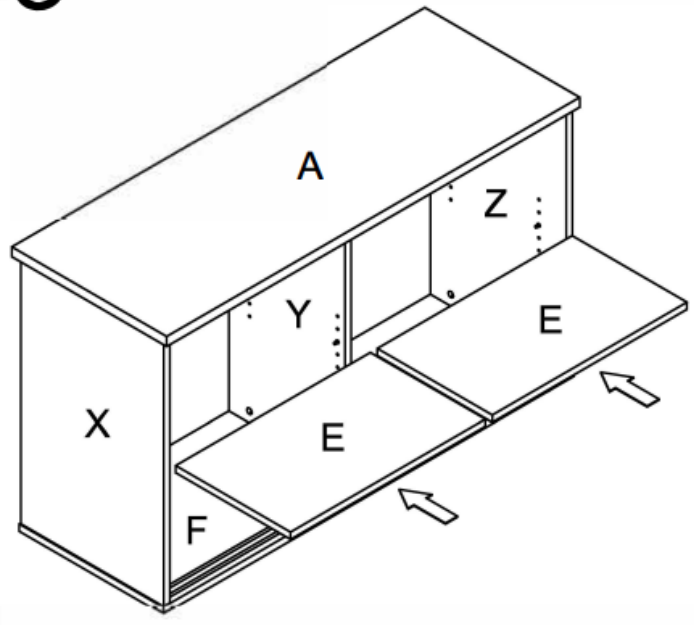
pin 6x35 1 20PCS	CAM 2 20PCS
Cam Cover 3 20PCS	Bolt Mixer 18Hx4 φ 6 4 6PCS
T-Handle 5 2PCS	Screw 4x22 6 4PCS
CURBIOA 28Hx4 φ 6 7 6PCS	Screw 4x30 8 6PCS
LOCK 9 1PCS	Screw 3.5x13 10 2PCS



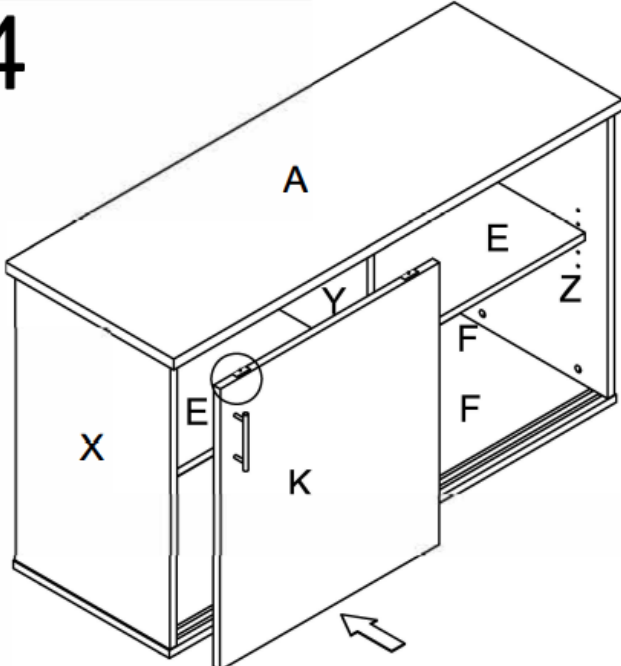
2



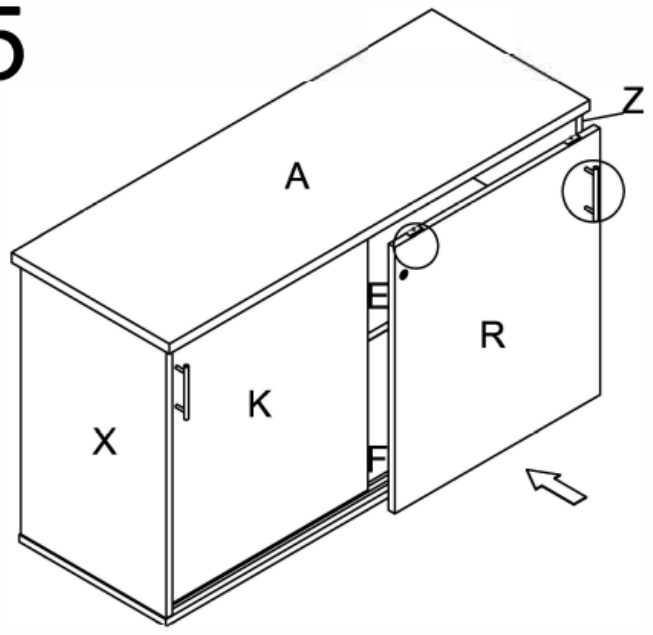
3



4



5



6

